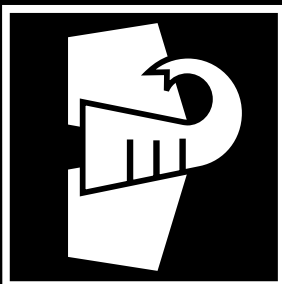


**R**

**WERKU**



**ENG** DO NOT USE THIS PRESSURE WASHER WITHOUT READING THESE INSTRUCTIONS  
**ESP** NO USE ESTA HIDROLAVADORA SIN LEER ESTAS INSTRUCCIONES  
**DEU** VERWENDEN SIE DIESEN HOCHDRUCKREINIGER NICHT, OHNE DIESE ANLEITUNGEN ZU LESEN  
**FRA** NE PAS UTILISEZ CE NETTOYEUR HAUTE PRESSION SANS LIRE CES INSTRUCTIONS  
**NED** GEBRUIK DEZE HOGEDRUKREINIGER NIET ZONDER DEZE INSTRUCTIES TE LEZEN  
**POR** NÃO USE ESTA LAVADORA ALTA PRESSÃO SEM LER ESTAS INSTRUÇÕES



**WK400720**

**3700W MAX200BAR MAX9.5LPM**

**ENG** HIGH PRESSURE WASHER **ESP** HIDROLAVADORA ALTA PRESION  
**DEU** HOCHDRUCKREINIGER **FRA** NETTOYEUR HAUTE PRESSION  
**NED** HOGEDRUKREINIGER **POR** LAVADORA ALTA PRESSÃO

## CE DECLARATION CONFORMITY.



► Werku® declares that the **WK400720** pressure-washer is in accordance with the European Directives and Standards 2006/42/CE, EN60335-1:2012/A11, EN60335-2-79:2012 and EN62233:2008.

La Coruña, 01/07/2019  
R Yáñez  
Werku Tools SA


## TECHNICAL CHARACTERISTICS.


► Voltage-frequency 230V~50Hz ► Power 3700W  
► Class I ► Protection index IPX5 ► Speed rate 2900 min<sup>-1</sup> ► Working pressure 180 bar ► Maximum pressure 200 bar ► Working flow 7 l/min<sup>-1</sup>  
► Maximum flow 9.5 l/mi<sup>n-1</sup> ► Maximum temperature 50°C ► Net weight 55 kg ► Acoustic pressure LpA ≤70 dB(A) ► Vibration Aw ≤2.5 m/s<sup>2</sup>.

## PICTOGRAMS.

-  Attention
-  Risk of electric shock
-  Do not connect directly to water mains
-  Risk of high pressure jet
-  Read instruction manual
-  Use eye protection
-  Use hand protection
-  Use body protection

 European conformity

 Double insulation

 Waste electrical and electronic equipment

## SAFETY INSTRUCTIONS.

► Read all security warnings and all instructions  
► Failure to follow all warnings and instructions listed below may result in electrical shock, fire and/or serious injury ► Keep all warnings and all instructions for future reference ► Accidents can be avoided in many cases by recognizing a potentially hazardous situation before it occurs and by observing appropriate safety procedures ► Do not use this pressure-washer for other applications than those specified in this manual.

## ELECTRIC COMPONENTS.

► Danger; risk of electric shock ► Never touch the mains plug and the socket with wet hands  
► Check the power cord with mains plug for damage prior to every use ► Immediately have damaged power cord replaced by an authorised customer service / electrician ► Do not operate an appliance if the power cord is damaged ► All current-conducting parts in the working area must be protected against jet water ► The mains plug and the coupling of an extension cable must be watertight and must never lie in water ► Moreover, the coupling may never lie on the ground ► The use of cable reels that ensure that the sockets are at least 60 mm above the ground is recommended  
► Make sure that the power cord or extension cable is not damaged by running over, pinching, dragging or the like ► Protect the power cords from heat, oil, and sharp edges ► Turn off the appliance and remove the mains plug prior to any care and maintenance works ► Repair work and work on the electrical components may only be performed by an authorised customer service ► Warning; the appliance may only be connected to an electric supply that has been installed by an electrician in accordance with IEC 60364 ► The appliance may only be connected to alternating current ► The voltage must correspond with the type plate of the

appliance ► Safety class I ► Appliances may only be connected to sockets with proper earthing ► For safety reasons, we recommend that you operate the appliance only via a residual current device (max. 30 mA) ► Unsuitable electrical extension cable can be hazardous ► Only use an electrical extension cable which has been approved and labelled for this purpose and has an adequate cable crosssection outdoors: 1 - 10 m: 1.5 mm<sup>2</sup>; 10 - 30 m: 2.5 mm<sup>2</sup> ► Always fully unreel the extension cable from the cable drum.

## **SAFE HANDLING.**

► Danger; the user must use the appliance as intended ► The person must consider the local conditions and must pay attention to other persons in the vicinity when working with the appliance ► Check important components, such as high-pressure hose, hand spray gun and safety installations, for damage prior to every operation ► Immediately replace damaged components ► Do not operate appliance with damaged components ► High-pressure jets can be dangerous if improperly used ► The jet may not be directed at persons, animals, live electrical equipment or at the appliance itself ► The high-pressure jet must not be directed at other persons or the user him-/herself to clean clothing or footwear ► Vehicle tyres/tyre valves are susceptible to damage from the high-pressure jet and may burst ► The first indication for this is a discolouration of the tyre ► Damaged vehicle tyres/tyre valves are perilous ► Keep a minimum jet distance of 30 cm during cleaning! ► Warning; do not use the appliance when there are other persons around unless they are also wearing protective clothing ► The appliance must not be operated by children or persons who have not been instructed accordingly ► This appliance is not intended for use by persons with limited physical, sensory or mental capacities or lacking experience and/or skills, unless such persons are accompanied and supervised by a person in charge of their safety or they have received precise instructions on the use of this appliance and have understood the resulting risks must not play with this appliance ► Supervise children to prevent them from playing with the appliance ► Caution; create stability for the appliance prior to any work on or with the

appliance to prevent accidents or damage ► The water jet that is emitted from the high-pressure nozzle results in a repulsion power acting on the hand spray gun ► Make sure that you have a firm footing and are also holding the hand spray gun and spray lance firmly ► Never leave the appliance unattended as long as it is in operation ► Attention; in case of extended breaks, switch off the appliance at the appliance switch ► Do not operate the appliance at temperatures below 0 °C.

## **OTHER RISKS.**

► Danger; the appliance may not be operated in explosive atmospheres ► Never use the appliance to clean objects containing hazardous substances (e.g. asbestos) ► Never draw in fluids containing solvents or undiluted acids and solvents! ► This includes petrol, paint thinner and heating oil ► The spray mist is highly inflammable, explosive and poisonous ► Do not use acetone, undiluted acids and solvents, as they corrode the materials used on the appliance ► Keep packaging films away from children, there is a risk of suffocation! ► Warning; according to applicable regulations, the appliance must never be used on the drinking water net without a system separator ► Ensure that the connection of your building water installation on which the high-pressure cleaner is operated is equipped with a system separator pursuant to EN 12729 Type BA ► Water that has flown through a system separator is no longer classified as drinking water ► High-pressure hoses, fixtures and couplings are important for the safety of the appliance ► Only use high-pressure hoses, fixtures and couplings recommended by the manufacturer ► When disconnecting the supply or high pressure hose, hot water may leak from the connections after operation ► Caution; mind the weight of the appliance when selecting the storage location and during transport (see technical data) to prevent accidents or injuries ► With appliances with a hand-arm vibration value > 2.5 m/s<sup>2</sup> (see technical data) ► Caution; several hours of continuous use of the appliance can lead to numbness in the hands in rare cases ► Wear gloves ► Keep hands warm ► breaks at regular intervals.

## **WORKING WITH DETERGENT.**

► Warning; this appliance was designed to be used with detergents which are supplied or

recommended by the manufacturer ▶ The use of other detergents or chemicals may compromise the safety of the appliance ▶ The improper use of detergents can cause severe injuries or toxication ▶ Store detergents away from the reach of children.

## **SAFETY DEVICES.**

▶ Caution; safety installations serve the protection of the user and may not be modified or bypassed.

## **PERSONAL PROTECTIVE EQUIPMENT.**

▶ Caution; wear protective clothing and safety goggles to protect against splash back containing water or dirt ▶ During the use of high-pressure cleaners aerosols can develop ▶ Inhaling aerosols can cause health damage ▶ Depending on the application, completely shielded nozzles (e.g. surface cleaner) that significantly reduce the emission of aqueous aerosols can be used for high-pressure cleaning ▶ The use of such shielding is not possible with all applications ▶ If the use of a completely shielded nozzle is not possible, a respirator of the category FFP2 or the like should be used, depending on the environment to be cleaned.

## **WORK AREA SAFETY.**

▶ Keep work area clean and well lit ▶ Cluttered and dark areas invite accidents ▶ Do not handle power tools in explosive atmospheres, such as in the presence of flammable liquids, gases or dusts ▶ Keep away from children and curious while operating a power tool ▶ Distractions can cause you to lose control.

## **PERSONAL SAFETY.**

▶ Stay alert, watch what you are doing and use common sense when operating a power tool ▶ Do not use a power tool while tired or under the influence of drugs, alcohol or medicines ▶ A moment of inattention while operating power tools may cause damage serious personal.

## **DO NOT WORK ON TIPTOES.**

▶ Keep your feet on the ground and balance at all times ▶ This enables better control of the power tool in unexpected situations.

## **DRESS PROPERLY.**

▶ Do not wear loose clothing or jewelry ▶ Keep your hair, clothing and gloves away from moving

parts ▶ Loose clothes, jewelry or long hair can be caught in moving parts ▶ If there are devices for connecting means for extracting and collecting dust, make sure they are connected and properly used ▶ The use of these devices can reduce dust related hazards.

## **DO NOT ABUSE THE CORD.**

▶ Never use the cord to carry, lift or unplug the power tool ▶ Keep the cord away from heat, oil, sharp edges or moving parts ▶ Damaged or entangled cords increase the risk of electric shock ▶ When operating a power tool outdoors, use an extension cord suitable for outdoor use ▶ The use of an extension cord suitable for outdoor use reduces the risk of electric shock ▶ If the use of a power tool in a damp location is unavoidable, use a power protected by a residual current device (RCD) ▶ The use of an RCD reduces the risk of electric shock.

## **USE AND CARE OF POWER TOOLS.**

▶ Do not force the power tool ▶ Use the correct power tool for your application ▶ The correct power tool will do the job better and safer at the rate for which it was conceived ▶ Do not use the power tool if the switch cannot be positioned to "off" and "on" position ▶ Any power tool that cannot be controlled with the switch is dangerous and must be repaired ▶ Remove the plug from the power supply and/or battery before making any adjustments, changing accessories or storing the power tool ▶ Such preventive safety measures reduce the risk of starting the power tool accidentally.

## **STORE POWER TOOLS.**

▶ Store power tools out of reach of children and not allow the handling of power tools to people unfamiliar with the tools or these instructions ▶ Power tools are dangerous in the hands of untrained users.

## **MAINTENANCE.**

▶ Check moving parts for misalignment or binding, there are no broken parts or other conditions that may affect the operation of power tools ▶ Power tools are repaired before use when they are damaged ▶ Many accidents are caused by

poorly maintained power tools ► Use power tools, accessories and tool tips, etc. according to these instructions and in the manner provided for the particular type of power tool, taking into account the conditions work and work to develop ► The use of the power tool for applications other than those intended could result in a dangerous situation ► Please check your power tool serviced by a Werku® official repair service using only identical replacement parts ► This will ensure the safety of the power tool is maintained.

## BEFORE STARTING WORK.

► Make sure that the pressure-washer is firmly supported before using ► Check that no one is standing beneath you when using the pressure-washer in high areas ► Keep your hands away from all moving parts of the pressure-washer.

## DURING THE OPERATION.

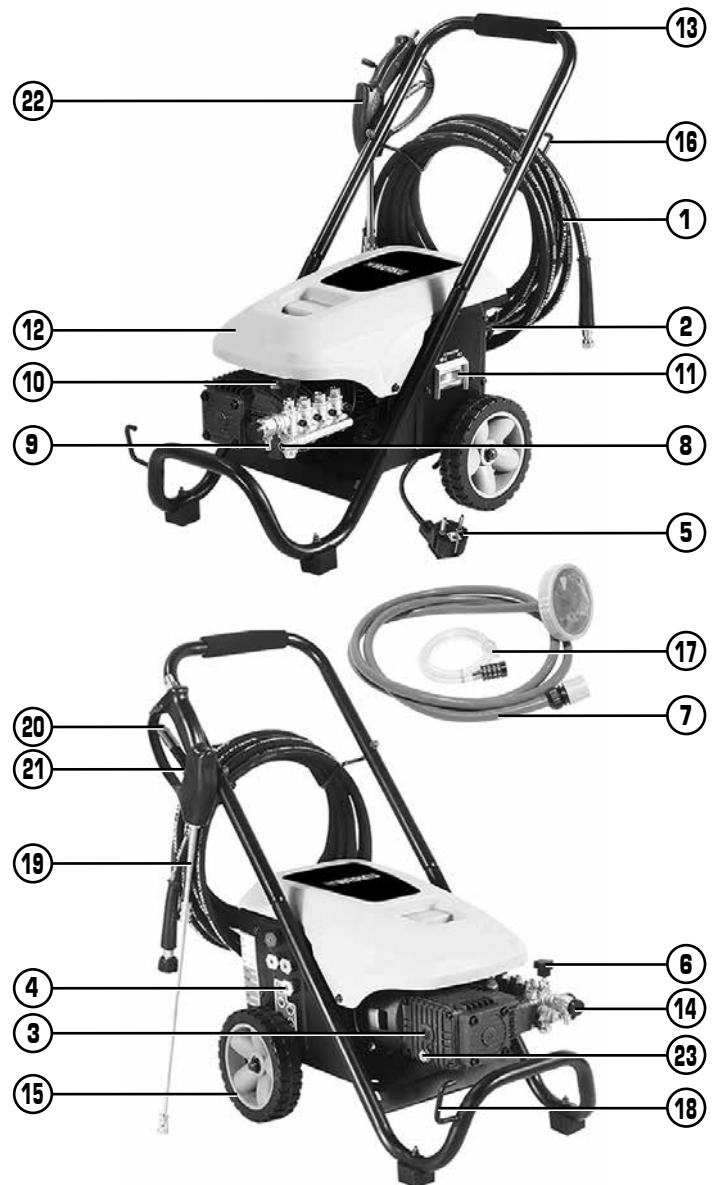
► Do not leave the pressure-washer operating without having it firmly fixed ► Only turn it on when you are sure you have full control over it ► Do not point the pressure-washer at anyone while in use ► When operating the pressure-washer will produce vibrations ► The screws may gradually come loose, and possibly cause faults or accidents ► Keep your hands away from all moving parts of the pressure-washer.

## AT FINISH WORKING.

► Do not touch the possible accessories installed in the pressure-washer after use ► It may be hot and cause burns ► Some materials worked with may contain chemicals or toxic components ► Avoid inhaling these substances or allowing them to come into contact with your skin ► Use PPE designed to prevent and protect against incidents of this kind.

## DESCRIPTION OF THE PRODUCT.

► The pressure-washer is designed to carry out jobs of cleaning ► Refer to this plan to familiarize yourself with the pressure-washer before use.



1. High pressure hose.
2. Cable clamp.
3. Oil level indicator.
4. Nozzles support.
5. Power supply.
6. Pressure regulator.
7. Water supply hose.
8. Water inlet.
9. Soap inlet.
10. Oil inlet.
11. Switch.
12. Cover.
13. Carrying handle.
14. High pressure hose outlet.
15. Wheel.
16. Hose support.
17. Detergent suction hose with filter.
18. Spray lance support.
19. Spray lance.
20. Trigger lock.

- 21. Trigger.
- 22. Hand spray gun.
- 23. Oil drain screw.

## **USE INSTRUCTIONS.**

► Before starting up the pressure-washer, we recommend that you carefully read all of the instructions as indicated ► Please respect all regulations regarding the prevention of accidents, health and safety directives, laws and applicable restrictions for work places ► The pressure-washer must only be used by persons who have been instructed in its use and only for the purposes for which it has been designed.

## **POWER SUPPLY.**

► Make sure the power supply is adapted to the requirements shown on the information panel of the pressure-washer (1) ► Using the motor at low voltage will make it operate slowly ► This will reduce performance and may cause the motor to overheat.

## **EXTENSION CORD.**

► If the working area is at some distance from the power supply, use an extension cord of enough diameter and quality.

## **OIL INLET PLUG.**

► Caution; the red plug on the pump is specially designed for transportation, before using the pressure-washer, please replace the red plug with the yellow plug or the brass plug in the spare parts package (2).

## **PRESSURE REGULATOR.**

► The pressure setting is preset at the factory to achieve optimum pressure and cleaning ► If need to lower the pressure, the following methods can be used: ► 1- Back away from the surface to be cleaned ► The further away user is, the less pressure is on the surface to be cleaned ► Caution; do not try to increase pump pressure, a higher pressure setting than the factory pressure setting may damage the pump ► 2- Change to the 40° white nozzle ► This nozzle delivers a less powerful stream of water and a wider spray pattern ► 3- Adjust the pressure regulator on the pump ► Turn the pressure regulator knob anti-clockwise to lower the pressure ► Once you have finished using your pressure-washer, return the pressure regulator to its original position by turning

it clockwise ► Caution; do not try to turn pressure regulator knob past the built-in stop line, as otherwise damage to the pump will be resulted.

## **NOZZLE TYPE.**

► The pressure-washer is equipped with four spray nozzles ► Each nozzle has a color and delivers a specific spray pattern for a particular cleaning purpose (3) ► Caution; the high-pressure spray from the pressure-washer is capable to cause damage to surfaces such as wood, glass, automobile paint, car striping and trim, and delicate objects such as flowers and shrubs ► Before spraying, check the item to be cleaned to assure yourself that it is strong enough to resist damage from the force of the spray.

## **CHANGING NOZZLES.**

► Caution; do not attempt to change the nozzles while the pressure-washer is running ► Turn the engine or gun off before changing nozzle ► Pull quick-fix back and insert nozzle ► Release quick-fix and twist nozzle to make sure it is secure in quick-fix socket (4) ► Warning; risk of injury ► Ensure nozzle is completely inserted in quick-fix socket before turning on gun trigger.

## **CLEANING NOZZLES.**

► If the nozzle is clogged with dirt, excessive pressure may develop ► If the nozzle becomes partially clogged or restricted, the pump pressure will pulsate ► Clean the nozzle immediately using the nozzle kit supplied and follow-up the following instructions ► 1- Shut off the pressure-washer and turn off the water supply ► 2- Pull trigger on the gun to relieve any water pressure ► 3- Disconnect the lance from the gun ► 4- Remove the nozzle from the lance ► Remove any obstructions with the nozzle cleaning tool provided and backflush with clean water (5) ► 5- Direct water supply into the spray wand end to backflush particles for 30 seconds (6) ► 6- Reassemble the nozzle to the lance, ensuring the fix-up is secure ► 7- Reconnect lance to the gun and turn on water supply ► 8- Start the pressure-washer and place lance into high pressure setting to test.

## **CHEMICALS AND DETERGENTS.**

► Warning; apply chemicals or detergents in low pressure state ► Only use chemicals or detergents designed for pressure-washers, or mild soaps

► The pressure-washer can suck detergents and other chemicals from a separate tank ► Place the chemical or detergent into the separate tank ► Caution; add water to chemicals or detergents too viscous to be sucked ► Place the hose in the independent tank (7) ► Select the black nozzle for chemicals ► Start spraying ► After using chemicals put clean water into the independent tank and draw it through chemical injection system to rinse system thoroughly ► If chemicals are being left in the pump, the pump could be damaged ► Warning; chemicals or detergents will not siphon when lance is in the high pressure setting.

## **OPERATING INSTRUCTIONS.**

► Important; before operation, check if every nut and bolt are tight enough and check whether the supply power and water can meet the demand of pressure-washer ► It is also important to check water filter before using the pressure-washer ► Important; a well-cleaned filter means good performance and long life for the pressure-washer ► Connect the water supply to the inlet port by a reinforced hose ► Caution; the pressure-washer does not have a flow switch, water source must provide 15 liter per minute ► Caution; the temperature for the inlet water should be not over 50°C ► Connect wand to gun and tighten securely (8) ► Insert the quick connection plug of the high pressure hose into the water outlet, and another side should be tightened with the gun trigger (9).

## **ELECTRICAL SUPPLY.**

► Make sure that the mains voltage is the same as shown on the identification label on the pressure-washer ► Warning; make sure that the plug complies with your local regulations, and it is provided with ground connection ► Warning; the power outlet must be protected by a residual circuit breaker with a sensitivity of less than 30 mA ► Do not connect other appliances to the same outlet ► Warning; insert the plug after checking that the switch off the pressure-washer is in the off position.

## **STARTING.**

► Connect water supply, then open the gun trigger ► Switch on the pressure-washer ► Warning; in case of power failure during operation, turn the pressure-washer off for safety reasons ► Hold the gun in the open position for a few seconds to drain the air from the hose ► At this point, adjust the pressure-washer according to your pressure requirement ► Please remind that it is better not

to exceed the normal working pressure, therefore please use the maximum pressure as less as possible ► During washing, the spray head should not be far away from the surface ► Warning; do not use the pressure-washer when persons are within the reach of the jet ► Stop the gun after ending the washing and then turn off the engine (in not more than 2 minutes), because the unloading valve is still moving after stopping the gun, the water will flow in circle in the pump, which will make the water hot and damage the seal ring or the other accessories if long time passed ► During the operation, it is normal if there is a little water leaks out from the pump, which will not affect to use the pressure-washer.

## **SAFETY VALVE.**

► The safety valve also functions as a pressure limiting valve. When the gun trigger is released, the safety valve opens and the water recirculates through the pump inlet.

## **STOP.**

► When you finish the washing, switch off the unit and hold the gun in the open position for a few seconds to drain the water from the hose.

## **CHANGE PUMP OIL.**

► The level of the oil must be checked periodically ► Very important; the oil must be changed after the first 50 hours of work and successively after every 100 hours ► In any case, oil must be changed at least once a year ► Use oil type SAE 15W-40 or equivalent motor oil ► Release the old pump oil completely through the oil outlet plug (10) ► Install the oil outlet plug again and fill the clean kerosene in the crankcase (11) ► The kerosene level should be slightly over the center line of the oil mirror (12) ► Then run the pressure-washer without loading about 10-15 seconds, then stop and release all the kerosene ► Then fill the new oil ► The oil level should be slightly over the red mark of the oil mirror.

## **STORING AND/OR FREEZING.**

► If the pressure-washer is to be stored in a place where there is risk of freezing, or it is to remain unused for more than three months, it is recommended to place some antifreeze into the pump ► Important; long periods of disuse may lead to the formation of lime scale deposits, that should be cleaned.

## **MAINTENANCE.**

► If the pressure-washer will not be running for a long time, you should drain the water completely

► Disconnect the water supply hose and run the pressure-washer for half a minute, and start the gun to drain the extra water ► The pressure-washer has been designed for a long working life with minimum maintenance ► Optimum use depends on correct care of the pressure-washer and regular cleaning ► To prevent accidents, always unplug the pressure-washer from the power source before cleaning or performing any maintenance ► The pressure-washer may be cleaned effectively using compressed air after each use ► If compressed air is not available, use a brush to remove dust from the pressure-washer ► Motor ventilation vents and switch levers must be kept clean and free of foreign matter ► Do not attempt to clean by inserting pointed objects through openings ► Certain cleaning agents and solvents damage plastic parts, among them are gasoline, carbon tetrachloride, chlorinated cleaning solvents, ammonia and household cleaners containing ammonia ► Do not use any of these to clean the pressure-washer ► Should excessive sparking occur, have a Werku® official repair service exam and/or replace the carbon brushes.

## **ENVIRONMENT PROTECTION.**

► The materials and components that have been used to manufacture this product can be re-used and recycled ► Werku® is adhered to an Integrated Management System that is in charge of the correct elimination of the residues of this product ► Do not eliminate this product with domestic residues ► Werku® offers to its clients a free collection service of these residues through any of its sale points, or in the collection points established by the Integrated Management System or in the recycling point of your locality.

## **WARRANTY AND TECHNICAL SERVICE.**

► Apart from the legal guarantee, Werku® offers an additional commercial guarantee ► This commercial guarantee covers the repair of all defects found due to faults in the materials or manufacture ► For this cover to be effective it is necessary for these defects to appear within the validity period ► The consumer is entitled to free repair of all defects that Werku® recognises as included in the commercial guarantee (shipping costs, labour costs and materials included) as chosen by Werku®, either via the repair or by replacement (if necessary with a later model) ► This commercial guarantee does not affect consumer's rights established by law according to Directive 1999/44/CE ► This

commercial guarantee is valid for 24 months ► If this product is destined for professional or industrial use, the validity period is 12 months ► The validity period starts on the date of purchase by the first consumer ► This date is shown on the invoice or receipt of purchase ► Actions for claims against this commercial guarantee expire six months from the end of the validity period ► Any claims arising from this commercial guarantee must be presented to the distributor or the Technical Assistance Service ► To do so you must present this guarantee correctly completed and stamped by the distributor, together with the sale invoice or receipt ► In order to require any information in relation to this commercial guarantee, the buyer and/or distributor may contact the Technical Assistance Service by telephone on +34 981 648 119, or by e-mail at [info@werku.com](mailto:info@werku.com) ► This commercial guarantee does not cover defects caused by parts that have worn out from use other types of natural wear, defects caused by failure to observe the instructions for use and operation, or for applications other than those for which this product is intended, abnormal environmental factors, overloading, or unsuitable maintenance or cleaning, faults caused by the use of spare parts, accessories or replacements that are not original Werku® parts, if the product has been totally or partially disassembled, modified or repaired by personnel other than that of the Technical Assistance Service or minimum and irrelevant irregularities for suitable use or operation ► Repairs and replacements will not extend or renew the validity period of this commercial guarantee ► The replaced parts will become the property of Werku® ► If the buyer sends the product to the Technical Assistance Service, and it fails to comply with the conditions of this commercial guarantee, all expenses and transportation risks shall be paid by the buyer ► This commercial guarantee is only valid within the territory of the European Union ► The company responsible for the compliance of this Werku® commercial guarantee is Werku Tools SA.

## **TECHNICAL ADVICE.**

► The technical department of Werku® is at your disposal to resolve any questions you may have regarding to its products ► If you wish to contact our team, send an e-mail to [info@werku.com](mailto:info@werku.com).



## DECLARACIÓN CONFORMIDAD CE.

► Werku® declara que la hidrolavadora **WK400720** cumple las Directivas y Normativas Europeas 2006/42/CE, EN60335-1:2012/A11, EN60335-2-79:2012 y EN62233:2008.



La Coruña, 01/07/2019

R Yáñez

Werku Tools SA

## CARACTERÍSTICAS TÉCNICAS.

► Voltaje-frecuencia 230V~50Hz ► Potencia 3700W ► Clase I ► Índice de protección IPX5  
► Revoluciones 2900 min<sup>-1</sup> ► Presión trabajo 180 bar  
► Presión máxima 200 bar ► Caudal trabajo 7 l/min<sup>-1</sup>  
► Caudal máximo 9.5 l/mi<sup>n-1</sup> ► Temperatura máxima 50°C ► Peso neto 55 kg ► Presión acústica LpA ≤70 dB(A) ► Vibración Aw ≤2.5 m/s<sup>2</sup>.

## PICTOGRAMAS.



Atención



Riesgo de descarga eléctrica



No conecte directamente a la red de agua



Riesgo de chorro a alta presión



Leer manual de instrucciones



Usar protección para los ojos



Usar protección para las manos



Usar protección corporal



Conformidad europea



Doble aislamiento



Residuos de aparatos eléctricos y electrónicos

## INSTRUCCIONES DE SEGURIDAD.

► Lea todas las advertencias de seguridad y todas las instrucciones ► La no observación de todas las advertencias e instrucciones relacionadas a continuación puede dar como resultado un choque eléctrico, fuego y/o una lesión seria ► Guarde todas las advertencias y todas las instrucciones para una referencia futura ► Los accidentes podrán evitarse en muchos casos dándose cuenta de una situación peligrosa antes de que se produzca, y observando fielmente los procedimientos de seguridad apropiados ► No utilice nunca esta hidrolavadora para aplicaciones que no sean las especificadas en este manual.

## COMPONENTES ELÉCTRICOS.

► Peligro; riesgo de descarga eléctrica ► No tocar nunca la clavija ni el enchufe con manos húmedas ► Comprobar si está dañado el cable de alimentación con el conector de red antes de cada servicio ► Si el cable de alimentación está dañado solicitar al servicio de postventa/electricista autorizado que lo cambie inmediatamente ► No operar el equipo con un cable de alimentación dañado ► Todas las partes conductoras de corriente de la zona de trabajo tienen que estar protegidas contra los chorros de agua ► El enchufe y el acoplamiento de un conducto de prolongación tienen que ser estancos y no pueden estar dentro del agua ► El acoplamiento no puede seguir en el suelo ► Se recomienda utilizar enrolladores de cables que garantizan que los enchufes estén al menos a 60 mm del suelo ► Tener cuidado de no atropellar, aplastar o tirar del cable de alimentación o el conducto de prolongación para evitar dañarlos o estropearlos ► Proteger los cables de alimentación del calor, el aceite y los bordes afilados ► Apague el aparato y desenchufe la clavija de red antes de efectuar los trabajos de cuidado y mantenimiento ► Sólo puede realizar reparaciones y trabajar con las piezas eléctricas el servicio de postventa autorizado ► Advertencia; el equipo solo se puede conectar a una toma eléctrica que haya sido instalada por un electricista conforme a IEC 60364 ► Conectar el equipo solo a corriente AC ► La tensión tiene que coincidir con la placa de características del equipo ► Clase de protección I ► Los aparatos sólo pueden ser conectados a fuentes de corrientes con puesta a tierra correcta ► Por razones de seguridad, también recomendamos

utilizar el aparato siempre con un interruptor de corriente por defecto (max. 30 mA) ► Los cables eléctricos alargadores inadecuados pueden ser peligrosos ► Para el exterior, utilice solo cables de prolongación eléctricos autorizados expresamente para ello, adecuadamente marcados y con una sección de cable suficiente: 1 - 10 m: 1,5 mm<sup>2</sup>; 10 - 30 m: 2,5 mm<sup>2</sup> ► Desenrollar siempre el conducto de prolongación completo del enrollador de cables.

## MANIPULACIÓN SEGURA.

► Peligro; el usuario debe utilizar el equipo de forma correcta ► Debe tener en cuenta las situaciones locales y respetar las personas del entorno a la hora de trabajar con el aparato ► Antes del servicio, comprobar si están dañados los componentes importantes, como la manguera de alta presión, la pistola pulverizadora y los dispositivos de seguridad ► Cambiar inmediatamente los componentes dañados ► No operar el equipo con componentes dañados ► Los chorros a alta presión pueden ser peligrosos si se usan indebidamente ► No dirija el chorro hacia personas, animales o equipamiento eléctrico activo, ni apunte con él al propio aparato ► No dirigir el chorro de alta presión hacia uno mismo o hacia otros para limpiar ropa o calzado ► Los neumáticos del vehículo/válvulas de los neumáticos pueden sufrir daños por el chorro de alta presión y reventar ► Una primera señal de ello es una coloración del neumático ► Los neumáticos del vehículo/válvulas de los neumáticos dañados son peligrosos ► Durante la limpieza, mantener una distancia mínima de 30cm con el chorro ► Advertencia; no utilizar el equipo si hay otras personas al alcance a no ser que utilicen vestuario de protección personal ► Los niños o las personas no instruidas sobre su uso no deben utilizar el aparato ► Este aparato no es apto para ser manejado por personas con incapacidades físicas, sensoriales o intelectuales o falta de experiencia y/o conocimientos, a no ser que sean supervisados por una persona encargada o hayan recibido instrucciones de esta sobre como usar el aparato y qué peligros conlleva ► Los niños no pueden jugar con el aparato ► Supervisar a los niños para asegurarse de que no jueguen con el aparato ► Precaución; antes de realizar cualquier tarea con o en el equipo, estabilizarlo para evitar accidentes o daños si se cae el equipo ► Mediante el chorro de agua que sale de la boquilla de alta presión, se ejerce una fuerza de retroceso sobre la pistola pulverizadora ► Mantener el equipo estable, sujetar bien la pistola pulverizadora y el tubo pulverizador ► No dejar el equipo nunca sin vigilancia mientras esté en funcionamiento ► Cuidado; si se realizan pausas de trabajo prolongadas, desconectar el equipo con el interruptor del aparato ► No operar el equipo a temperaturas inferiores a 0 °C.

## OTROS PELIGROS.

► Peligro; está prohibido el funcionamiento en zonas donde haya riesgo de explosión ► No rociar objetos que contengan sustancias nocivas para la salud (p.ej. asbesto) ► ¡No aspirar nunca líquidos que contengan disolventes, ácidos sin disolver o disolventes! ► Esto incluye productos como la gasolina, disolvente de pintura o fuel ► La neblina de pulverización es altamente inflamable, explosiva y tóxica ► No utilizar acetona, ácidos sin disolver ni disolvente, puede atacar a los materiales utilizados en el equipo ► ¡Mantener los plásticos del embalaje fuera del alcance de los niños, se corre el riesgo de asfixia! ► Advertencia; de acuerdo con las normativas vigentes, está prohibido utilizar el aparato sin un separador de sistema en la red de agua potable ► Asegúrese de que la toma de su instalación de agua doméstica donde se opera la hidrolavadora alta presión, esté equipada con un separador de sistema conforme a EN 12729 tipo BA ► El agua que haya pasado por un separador del sistema será catalogada como no potable ► Las mangueras de alta presión, fijaciones y acoplamientos son importantes para la seguridad del equipo ► Utilizar solo las mangueras de alta presión, fijaciones y acoplamientos recomendados por el fabricante ► Al separar el tubo de alimentación o el de alta presión, puede salir agua muy caliente de las tomas después del funcionamiento ► Precaución; al seleccionar el lugar de montaje y al transportar, tener en cuenta el peso del aparato (véase datos técnicos), para evitar accidentes o lesiones ► En el caso de aparatos con valor de vibración mano-brazo > 2,5 m/s<sup>2</sup> (véase datos técnicos) ► Precaución; si el aparato se utiliza durante varias horas sin interrupción, se puede producir una sensación de adormecimiento en las manos, pero es poco frecuente ► Utilizar guantes ► Mantener las manos calientes ► Realizar descansos de trabajo regularmente.

## TRABAJO CON DETERGENTES.

► Advertencia; este aparato se ha desarrollado para utilizar los detergentes suministrados o recomendados por el fabricante ► La utilización de otros detergentes o sustancias químicas puede influir en la seguridad del aparato ► Si se utilizan erróneamente detergentes, se pueden provocar lesiones graves o intoxicaciones ► Guardar los detergentes fuera del alcance de los niños.

## DISPOSITIVOS SEGURIDAD.

► Precaución; los dispositivos de seguridad sirven para proteger al usuario y no se pueden modificar o sortear.

## EQUIPO PROTECTOR PERSONAL.

►Precaución; póngase ropa y gafas protectoras adecuadas para protegerse de las salpicaduras de agua y de la suciedad ►Durante el uso de limpiadoras de alta presión se pueden generar aerosoles ►Inhalar aerosoles puede provocar daños a la salud ►Dependiendo de la aplicación, se pueden utilizar boquillas totalmente apantalladas (p.ej. limpiadoras de superficies) para la limpieza a alta presión, que reduzca significativamente el impulso de aerosoles acuosos ►El uso de tal apantallamiento no es posible en todas las aplicaciones ►Si no es posible utilizar una boquilla totalmente apantallada, se debería utilizar una mascarilla de la clase FFP2 o similar, dependiendo del entorno a limpiar.

## **SEGURIDAD DEL AREA DE TRABAJO.**

►Mantenga el área de trabajo limpia y bien iluminada ►Las áreas desordenadas y oscuras provocan accidentes ►No maneje herramientas eléctricas en atmósferas explosivas, tales como en presencia de líquidos, gases o polvos inflamables ►Mantenga alejados a los niños y curiosos mientras maneja una herramienta eléctrica ►Las distracciones pueden causar la pérdida del control.

## **SEGURIDAD PERSONAL**

►Esté alerta, vigile lo que está haciendo y use el sentido común cuando maneje una herramienta eléctrica ►No use una herramienta eléctrica cuando esté cansado o bajo la influencia de drogas, alcohol o medicamentos ►Un momento de distracción mientras maneja herramientas eléctricas puede causar un daño personal serio.

## **NO TRABAJE DE PUNTILLAS.**

►Mantenga los pies bien asentados sobre el suelo y conserve el equilibrio en todo momento ►Esto permite un mejor control de la herramienta eléctrica en situaciones inesperadas.

## **VISTA ADECUADAMENTE.**

►No vista ropa suelta o joyas ►Mantenga su pelo, su ropa y guantes alejados de las piezas en movimiento ►La ropa suelta, las joyas o el pelo largo pueden ser cogidos en las piezas en movimiento ►Si hay dispositivos para la conexión de medios de extracción y recogida de polvo, asegúrese de que éstos estén conectados y se usen correctamente ►El uso de estos dispositivos puede reducir los riesgos relacionados con el polvo.

## **NO ABUSE DEL CABLE.**

►No usar nunca el cable para llevar, levantar o desenchufar la herramienta eléctrica ►Mantenga el cable lejos del calor, aceite, cantos vivos o piezas en movimiento ►Los cables dañados o enredados aumentan el riesgo de choque eléctrico ►Cuando maneje una herramienta eléctrica en el exterior, use una prolongación de cable adecuado para uso exterior

►El uso de una prolongación de cable adecuada para uso en el exterior reduce el riesgo de choque eléctrico ►Si el uso de una herramienta eléctrica en un lugar húmedo es inevitable, use una alimentación protegida por un dispositivo de corriente residual (RCD) ►El uso de un RCD reduce el riesgo de choque eléctrico.

## **UTILIZACIÓN Y CUIDADOS DE LAS HERRAMIENTAS ELÉCTRICAS.**

►No fuerce la herramienta eléctrica ►Use la herramienta eléctrica correcta para su aplicación ►La herramienta eléctrica correcta hará el trabajo mejor y más seguro al ritmo para la que fue concebida ►No use la herramienta eléctrica si el interruptor no se puede posicionar en "off" y "on" ►Cualquier herramienta eléctrica que no pueda controlarse con el interruptor es peligrosa y debe repararse ►Desenchufe la clavija de la fuente de alimentación y/o de la batería antes de efectuar cualquier ajuste, cambio de accesorios, o de almacenar las herramientas eléctricas ►Tales medidas preventivas de seguridad reducen el riesgo de arrancar la herramienta accidentalmente.

## **ALMACENE LAS HERRAMIENTAS ELÉCTRICAS.**

►Almacene las herramientas eléctricas inactivas fuera del alcance de los niños y no permita el manejo de la herramienta a personas no familiarizadas con las herramientas eléctricas o con estas instrucciones ►Las herramientas eléctricas son peligrosas en manos de usuarios no entrenados.

## **MANTENIMIENTO.**

►Compruebe que las partes móviles no estén desalineadas o trabadas, que no haya piezas rotas u otras condiciones que puedan afectar el funcionamiento de las herramientas eléctricas ►Las herramientas eléctricas se reparan antes de su uso, cuando están dañadas ►Muchos accidentes son causados por herramientas eléctricas pobremente mantenidas ►Use la herramienta eléctrica y accesorios de acuerdo con estas instrucciones y de la manera prevista para el tipo particular de herramientas eléctricas, teniendo en cuenta las condiciones de trabajo y el trabajo a desarrollar ►El uso de herramientas eléctricas para aplicaciones diferentes de las previstas podría causar una situación de peligro ►Haga revisar su herramienta eléctrica por un servicio oficial de reparación Werku® usando solamente piezas de recambio idénticas ►Esto garantizará que la seguridad de la herramienta eléctrica se mantiene.

## **ANTES DE EMPEZAR A TRABAJAR.**

►Asegúrese siempre antes de utilizar la hidrolavadora que se encuentra firmemente apoyado ►Compruebe que nadie se encuentra bajo la zona de influencia de la hidrolavadora cuando lleve a cabo trabajos en zonas elevadas ►Aleje las manos de las partes en movimiento de la hidrolavadora.

## DURANTE EL FUNCIONAMIENTO.

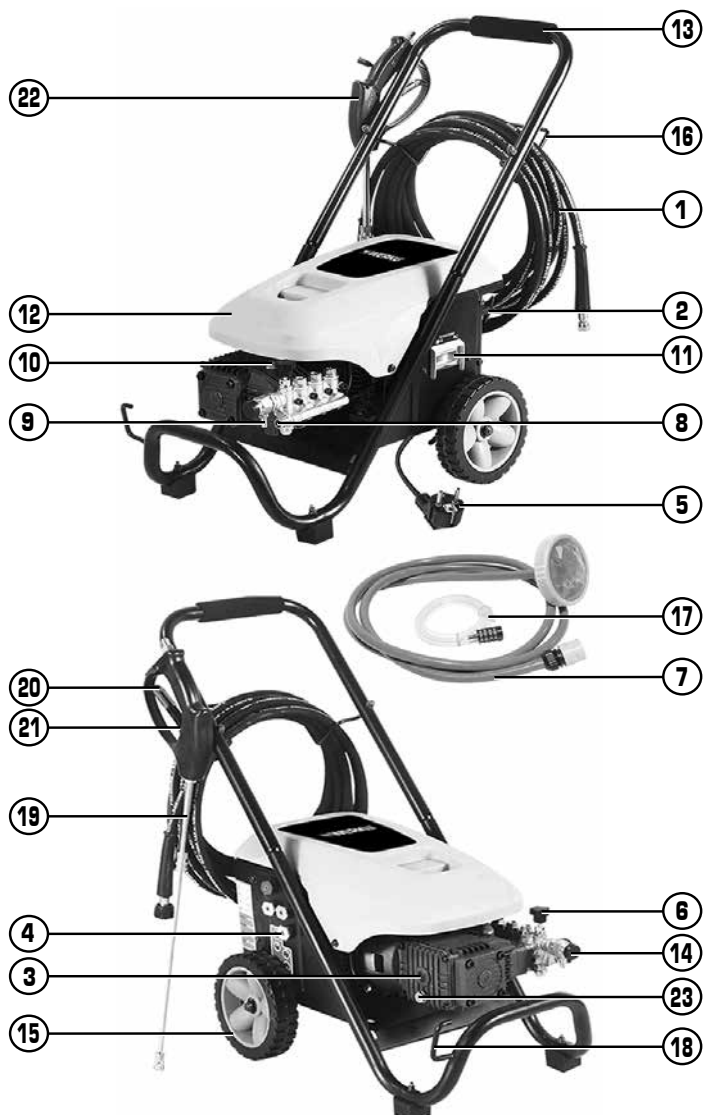
► No deje la hidrolavadora funcionando sin tenerlo bien sujeto ► Hágala funcionar cuando esté seguro de que la tiene plenamente controlada ► No apunte con la hidrolavadora a nadie durante su funcionamiento ► Durante la operación, la hidrolavadora puede producir vibración ► Los tornillos pueden ir aflojándose progresivamente pudiendo causar una avería o accidente ► Aleje las manos de las partes en movimiento de la hidrolavadora.

## AL TERMINAR DE TRABAJAR.

► No toque los accesorios instalados en la hidrolavadora tras su uso ► Pueden estar muy calientes y causar una quemadura ► Algunos materiales sobre los que se trabaja pueden contener químicos o componentes que pueden ser tóxicos ► Tenga cuidado para prevenir la inhalación de estas sustancias o el contacto con la piel ► Utilice los EPIs diseñados para prevenir y protegerse de dichas incidencias.

## DESCRIPCIÓN DEL PRODUCTO.

► La hidrolavadora se ha diseñado para realizar trabajos de limpieza ► Observe este esquema para familiarizarse con la hidrolavadora antes de utilizarla.



1. Manguera alta presión.
2. Portacable.
3. Indicador nivel aceite.
4. Soporte boquillas.
5. Conexión eléctrica.
6. Regulador presión.
7. Manguera suministro agua.
8. Entrada agua.
9. Entrada detergente.
10. Entrada aceite.
11. Interruptor.
12. Capó.
13. Asa transporte.
14. Salida manguera alta presión.
15. Rueda.
16. Enrollador mangueras.
17. Manguera aspiración detergente con filtro.
18. Soporte lanza dosificadora.
19. Lanza dosificadora.
20. Seguro gatillo.
21. Gatillo.
22. Pistola pulverizadora manual.
23. Tornillo purgador aceite.

## INSTRUCCIONES DE USO.

► Antes de efectuar la puesta en marcha de la hidrolavadora, es aconsejable leer completa y minuciosamente todas las instrucciones que se indican ► Asimismo, deberán tenerse en cuenta las normas para la prevención de accidentes, reglamentos y directivas, las leyes y las restricciones vigentes para los centros de trabajo ► La hidrolavadora debe de ser utilizada únicamente por personas instruidas adecuadamente en su manejo y exclusivamente conforme a los fines previstos.

## FUENTE DE ALIMENTACIÓN.

► Asegúrese de que la fuente de alimentación se ajusta a los requisitos especificados en la placa de datos de la hidrolavadora (1) ► Hacer funcionar el motor a bajo voltaje hará que éste opere lento ► Esto reducirá el rendimiento y puede causar que el motor se sobrecaliente.

## CABLE DE PROLONGACIÓN.

► Cuando la zona de trabajo esté alejada de la fuente de alimentación, haga uso de un cable de prolongación de suficiente diámetro y calidad.

## TAPÓN ENTRADA ACEITE.

► Precaución; el tapón rojo de la bomba está especialmente diseñado para el transporte; antes de utilizar la hidrolavadora, sustituya el tapón rojo por el amarillo o el de latón en el paquete de piezas de repuesto (2).

## REGULADOR PRESIÓN.

► El ajuste de presión está preestablecido de fábrica para lograr un óptimo rendimiento de presión y limpieza ► Si necesita reducir la presión, puede utilizar los siguientes métodos:

► 1- Alejarse de la superficie a limpiar ► Cuanto más lejos se encuentre el usuario, menor será la presión sobre la superficie a limpiar ► Precaución; no intente aumentar la presión de la bomba, un ajuste de presión más alto que el de fábrica puede dañar la bomba ► 2- Cambiar a la boquilla blanca de 40° ► Esta boquilla proporciona una menor fuerza en la corriente de agua y un patrón de aspersión más amplio ► 3- Ajustar el regulador de presión de la bomba ► Gire el regulador de presión en sentido contrario a las agujas del reloj para bajar la presión ► Una vez que haya terminado de usar la hidrolavadora, regrese el regulador de presión a su posición original girándolo en el sentido de las agujas del reloj ► Precaución; no intente girar el regulador de presión más allá de la línea de parada señalada, ya que de lo contrario se dañaría la bomba.

## TIPOS BOQUILLA.

► La hidrolavadora está equipada con cuatro boquillas de pulverización ► Cada boquilla tiene un color y proporciona un patrón de aspersión específico para un propósito de limpieza en particular (3) ► Precaución; el chorro de alta presión de la hidrolavadora es capaz de causar daños a superficies como madera, vidrio, pintura de automóviles, franjas y molduras de automóviles y objetos delicados como flores y arbustos ► Antes de la pulverización, compruebe que la pieza a limpiar es lo suficientemente resistente como para resistir los daños causados por la fuerza de la pulverización.

## CAMBIO BOQUILLAS.

► Precaución; no intente cambiar las boquillas mientras la hidrolavadora esté funcionando ► Apague el motor o la pistola antes de cambiar la boquilla ► Tire del cierre rápido hacia atrás e inserte la boquilla ► Suelte el cierre rápido y gire la boquilla para asegurarse de que está bien sujeta al enchufe rápido (4) ► Advertencia; riesgo de lesiones ► Asegúrese que la boquilla esté completamente insertada en el enchufe de fijación rápida antes de encender el gatillo de la pistola.

## LIMPIEZA BOQUILLAS.

► Si la boquilla está obstruida con suciedad, puede producirse una presión excesiva ► Si la boquilla se obstruye o restringe parcialmente, la bomba de presión vibrará ► Limpie la boquilla inmediatamente utilizando el kit de boquillas suministrado y siguiendo las siguientes instrucciones ► 1- Apague la unidad y corte el suministro de agua ► 2- Accione

el gatillo de la pistola para aliviar la presión del agua ► 3- Desconecte la lanza de la pistola ► 4- Retire la boquilla de la lanza ► Elimine cualquier obstrucción con la herramienta de limpieza de la boquilla suministrada y enjuáguela con agua limpia (5) ► 5- Dirija el suministro de agua al extremo de la varilla de pulverización para el lavado de partículas durante 30 segundos (6) ► 6- Vuelva a montar la boquilla en la lanza, asegurándose de que la fijación es segura ► 7- Vuelva a conectar la lanza a la pistola y abra el suministro de agua ► 8- Ponga en marcha la hidrolavadora y coloque la lanza en el ajuste de alta presión para realizar la prueba.

## QUÍMICOS Y DETERGENTES.

► Advertencia; aplicar productos químicos o detergentes en la posición de presión más baja ► Utilice únicamente productos químicos o detergentes diseñados para hidrolavadoras, o jabones suaves ► La hidrolavadora puede aspirar detergentes y otros productos químicos de un tanque independiente ► Vierta el producto químico o detergente en el tanque separado ► Precaución; añada agua a los productos químicos o detergentes demasiado viscosos para ser aspirados ► Coloque la manguera en el tanque independiente (7) ► Seleccione la boquilla negra para productos químicos ► Comience a pulverizar ► Después de usar productos químicos ponga agua limpia en el tanque independiente y sáquela a través del sistema de inyección de productos químicos para enjuagar bien el sistema ► Si permanecen productos químicos en la bomba, ésta podría resultar dañada ► Advertencia; los productos químicos o detergentes no se expulsarán si la lanza está en el ajuste de alta presión.

## INSTRUCCIONES USO.

► Importante; antes de operar compruebe que todas las tuercas y pernos estén suficientemente apretados y compruebe si el suministro de agua y electricidad pueden satisfacer correctamente la demanda de la hidrolavadora ► También es importante comprobar el filtro de agua antes de utilizar la hidrolavadora ► Importante; un filtro bien limpio significa un buen rendimiento y una larga vida útil de la hidrolavadora ► Conecte el suministro de agua al puerto de entrada mediante una manguera reforzada ► Precaución; la hidrolavadora no tiene interruptor de flujo, la fuente de agua debe proporcionar 15 litros por minuto ► Precaución; la temperatura del agua de entrada no debe ser superior a 50°C ► Conecte la lanza con la pistola y apriétela firmemente (8) ► Introduzca el enchufe de conexión rápida de la manguera de alta presión en la salida de agua y el otro extremo en la base de la pistola (9).

## **SUMINISTRO ELÉCTRICO.**

► Asegúrese de que la tensión de red sea la misma que la indicada en la etiqueta de identificación de la hidrolavadora ► Advertencia; asegúrese de que la clavija cumple con las normativas locales y está provista de conexión a tierra ► Advertencia; la toma de corriente debe estar protegida por un disyuntor residual con una sensibilidad inferior a 30 mA ► No conecte otros aparatos a la misma toma de corriente ► Advertencia; inserte el enchufe después de comprobar que el interruptor de la hidrolavadora esté en la posición de apagado.

## **PUESTA EN MARCHA.**

► Conecte el suministro de agua y luego abra el gatillo de la pistola ► Encienda la hidrolavadora ► Advertencia; en caso de fallo de alimentación durante el funcionamiento, apague la hidrolavadora por razones de seguridad ► Mantenga la pistola en posición abierta durante unos segundos para drenar el aire de la manguera ► En este punto, ajuste la hidrolavadora de acuerdo a su requerimiento de presión ► Recuerde que es mejor no superar la presión de trabajo normal, por lo tanto, use la presión máxima lo menos posible ► Durante su uso, el cabezal rociador no debe de estar lejos de la superficie ► Advertencia; no utilice la hidrolavadora cuando haya personas que estén al alcance del chorro ► Detenga la pistola después de terminar el lavado y luego apague el motor (en no más de 2 minutos), porque la válvula de descarga sigue moviéndose después de apagar la pistola, el agua fluirá en círculo en la bomba, lo que calentará el agua y dañará el anillo de sellado u otros accesorios si pasa mucho tiempo ► Durante la operación, es normal si hay una pequeña fuga de agua de la bomba, lo que no afectará el uso de la hidrolavadora.

## **VÁLVULA SEGURIDAD.**

► La válvula de seguridad también funciona como válvula limitadora de presión ► Cuando se suelta el gatillo de la pistola, la válvula de seguridad se abre y el agua recircula a través de la entrada de la bomba.

## **PARADA.**

► Cuando termine de lavar, apague la hidrolavadora y mantenga la pistola en posición abierta durante unos segundos para drenar el agua de la manguera.

## **CAMBIO ACEITE DE BOMBA.**

► El nivel de aceite debe controlarse periódicamente ► Muy importante; el aceite debe de cambiarse después de las primeras 50 horas de trabajo y sucesivamente después de cada 100 horas ► En cualquier caso, hay que cambiar

el aceite al menos una vez al año ► Use aceite de motor SAE 15W-40 o equivalente ► Libere el aceite viejo de la bomba completamente a través del tapón de salida de aceite (10) ► Instale el tapón de salida de aceite de nuevo e introduzca queroseno limpio en el cárter (11) ► El nivel de queroseno debe estar ligeramente por encima de la línea central del espejo de aceite (12) ► Luego haga funcionar la hidrolavadora sin carga durante unos 10-15 segundos, pare y suelte todo el queroseno ► A continuación, insértese el aceite nuevo ► El nivel de aceite debe estar ligeramente por encima de la marca roja del espejo de aceite.

## **ALMACENAMIENTO Y/O CONGELACIÓN.**

► Si la hidrolavadora se va a almacenar en un lugar donde haya riesgo de congelación, o si no se va a utilizar durante más de tres meses, se recomienda colocar un poco de anticongelante en la bomba ► Importante; largos períodos de inactividad pueden provocar la formación de depósitos calcáreos, que deben de ser limpiados.

## **MANTENIMIENTO.**

► Si la hidrolavadora no va a funcionar durante mucho tiempo, debe de drenar el agua de la completamente ► Desconecte la manguera de suministro de agua y haga funcionar la hidrolavadora durante medio minuto, y ponga en marcha la pistola para drenar el agua adicional ► La hidrolavadora ha sido diseñada para funcionar durante mucho tiempo con un mínimo mantenimiento ► El funcionamiento óptimo depende del buen cuidado de la hidrolavadora y de una limpieza frecuente ► Para evitar accidentes, desconecte siempre la hidrolavadora de la fuente de alimentación antes de efectuar la limpieza o cualquier mantenimiento de la misma ► La hidrolavadora debe limpiarse de manera eficaz utilizando aire comprimido al final de cada uso ► Utilice siempre gafas protectoras cuando trabaje con aire comprimido ► Si no puede utilizar aire comprimido, retire el polvo de la hidrolavadora sirviéndose de un cepillo ► Las ranuras de ventilación del motor y los interruptores deben estar siempre limpios y sin ninguna clase de residuo ► No intente limpiarlos introduciendo objetos puntiagudos a través de las aberturas ► Algunos productos de limpieza y disolventes dañan los componentes de plástico, entre los cuales se encuentran la gasolina, el tetraclorometano, los disolventes de limpieza clorados, el amoníaco y los productos de limpieza domésticos que contienen amoníaco ► No utilice ninguno de los productos mencionados para limpiar la hidrolavadora

► En el caso de que se produzcan chispas de modo excesivo, haga que el servicio oficial de reparación Werku® le revise y/o reemplace las escobillas.

## **PROTECCIÓN DEL MEDIO AMBIENTE.**

► Los materiales y componentes que han sido utilizados para fabricar este producto pueden ser reutilizados y reciclados ► Werku® está adherido a un Sistema Integrado de Gestión que se encarga de la correcta eliminación de los residuos de este producto ► No elimine este producto en la basura doméstica ► Werku® ofrece a sus clientes un servicio gratuito de retirada de dichos residuos en cualquiera de sus puntos de venta, en los puntos de recogida establecidos por el Sistema Integrado de Gestión o en los puntos limpios de su localidad.

## **GARANTÍA Y SERVICIO TÉCNICO.**

► Además de la garantía legal, Werku® ofrece una garantía comercial adicional ► Esta garantía comercial cubre la reparación de los defectos que se aprecian debido a fallos en los materiales o en la fabricación ► Para ello es imprescindible que los defectos se produzcan dentro del periodo de validez ► El consumidor tiene derecho a la reparación gratuita de los defectos que Werku® reconoce como incluidos en la garantía comercial (gastos de envío, mano de obra y materiales incluidos), a elección de Werku®, bien mediante la reparación o mediante la sustitución (si es necesario por un modelo posterior) ► Esta garantía comercial no afecta los derechos del consumidor establecidos por ley según la Directiva 1999/44/CE ► El periodo de validez de esta garantía comercial es de 24 meses ► En caso de destinar el producto a un uso profesional o industrial, el periodo de validez es de 12 meses ► El periodo de validez se inicia en la fecha de compra por el primer consumidor ► Esta fecha se refleja en la factura o ticket de compra ► La acción para reclamar el cumplimiento de esta garantía comercial prescribe a los seis meses desde la finalización del periodo de validez ► La reclamación en virtud de esta garantía comercial debe de presentarse al distribuidor o al Servicio de Asistencia Técnica ► Para ello es imprescindible presentar esta garantía debidamente cumplimentada y sellada por el distribuidor, junto con la factura o ticket de compra ► Para cualquier información referente a esta garantía comercial el comprador y/o el distribuidor puede ponerse en contacto con el Servicio de Asistencia Técnica a través del

teléfono +34 981 648 119, o mediante correo electrónico a [info@werku.com](mailto:info@werku.com) ► Quedan excluido de esta garantía comercial los defectos que han sido causados por piezas desgastadas por el uso u otro tipo de desgaste natural, los defectos que han sido causados por inobservancia o incumplimiento de las instrucciones de uso y funcionamiento, o de aplicaciones no conformes con el uso al que se destina este producto, o de factores medioambientales anormales, o de sobrecarga, de mantenimiento o limpieza inadecuados, defectos que han sido causados por el uso de accesorios, complementos o repuestos que no son piezas originales Werku®, si el producto ha sido total o parcialmente desmontado, modificado o reparado por personal ajeno al Servicio de Asistencia Técnica o las irregularidades mínimas e irrelevantes para el uso y funcionamiento adecuado ► Las reparaciones y sustituciones no prolongan ni renuevan el plazo de validez de esta garantía comercial ► Las piezas sustituidas pasan a ser propiedad de Werku® ► Si el comprador remite el producto al Servicio de Asistencia Técnica, no cumpliendo con las condiciones de esta garantía comercial, los gastos y riesgos del transporte corren a cargo del comprador ► Esta garantía comercial es válida dentro del territorio de la Unión Europea ► La empresa responsable del cumplimiento de esta garantía comercial Werku® es Werku Tools SA.

## **ASESORAMIENTO TÉCNICO.**

► Werku® pone a su disposición su departamento técnico para resolver cualquier duda que pueda surgir sobre sus productos ► En caso de que desee establecer contacto con nuestro equipo, remita un correo electrónico a la dirección [info@werku.com](mailto:info@werku.com).

## CE KONFORMITÄTSERKLÄRUNG.

► Werku® erklärt dass der **WK400720**

Hochdruckreiniger in Übereinstimmung ist mit den europäischen Richtlinien und Normen 2006/42/CE, EN60335-1:2012/A11, EN60335-2-79:2012 und EN62233:2008.



La Coruña, 01/07/2019

R Yáñez

Werku Tools SA

## TECHNISCHE DATEN.

- Spannung-Frequenz 230V~50Hz ► Leistung 3700W ► Klasse I ► Schutzindex IPX5
- Umdrehungen 2900 min<sup>-1</sup> ► Arbeitsdruck 180 bar
- Maximale Druck 200 bar ► Arbeitsfließ 7 l/min<sup>-1</sup>
- Maximale Fließ 9.5 l/mi<sup>n-1</sup> ► Maximale Temperatur 50°C ► Nettogewicht 55 kg ► Schalldruck LpA ≤70 dB(A) ► Vibration Aw ≤2.5 m/s<sup>2</sup>.

## PIKTOGRAMME.



Beachtung



Risiko eines elektrischen Schlages



Nicht direkt an die Wasserversorgung anschließen



Gefahr eines Hochdruckstrahls



Lesen Sie die Bedienungsanleitung



Augenschutz verwenden



Handschutz verwenden



Körperschutz verwenden



Europäische Konformität



Doppelisolierung



Elektro- und Elektronikgeräte

## SICHERHEITSHINWEISE

- Lesen Sie alle Sicherheitshinweise und die gesamte Gebrauchsanleitung ► Die Nichteinhaltung aller im Folgenden aufgeführten Sicherheitshinweise und der Gebrauchsanleitung kann zum Elektroschock, Brand und/oder schweren Verletzungen führen ► Heben Sie alle Sicherheitshinweise und die gesamte Gebrauchsanleitung zum späteren Nachlesen auf ► Unfälle können häufig vermieden werden, wenn man sich im Voraus der Gefährlichkeit einer Situation bewusst ist und die angemessenen Sicherheitsverfahren hundertprozentig einhält ► Verwenden Sie diese Hochdruckreiniger niemals zu anderen Zwecken, als zu den in dieser Anleitung aufgeführten.

## ELEKTRISCHE KOMPONENTEN.

- Gefahr; Gefahr eines Stromschlags
- Netzstecker und Steckdose niemals mit feuchten Händen anfassen ► Netzanschlussleitung mit Netzstecker vor jedem Betrieb auf Schäden prüfen ► Beschädigte Netzanschlussleitung unverzüglich durch autorisierten Kundendienst / Elektrofachkraft austauschen lassen ► Gerät mit beschädigter Netzanschlussleitung nicht in Betrieb nehmen ► Alle stromführenden Teile im Arbeitsbereich müssen strahlwassergeschützt sein ► Netzstecker und Kupplung einer Verlängerungsleitung müssen wasserdicht sein und dürfen nicht im Wasser liegen ► Die Kupplung darf weiterhin nicht auf dem Boden liegen ► Es wird empfohlen, Kabeltrommeln zu verwenden, die gewährleisten, dass die Steckdosen sich mindestens 60 mm über dem Boden befinden ► Darauf achten, dass Netzanschluss und Verlängerungsleitung nicht durch Überfahren, Quetschen, Zerren oder dergleichen verletzt oder beschädigt werden ► Die Netzanschlussleitungen vor Hitze, Öl und scharfen Kanten schützen ► Vor allen Pflege- und Wartungsarbeiten das Gerät ausschalten und den Netzstecker ziehen ► Reparaturarbeiten und Arbeiten an elektrischen Bauteilen dürfen nur vom autorisierten Kundendienst durchgeführt werden ► Warnung; Das Gerät darf nur an einen elektrischen Anschluss angeschlossen werden, der von einem Elektroinstallateur gemäß IEC 60364 ausgeführt wurde ► Das Gerät nur an Wechselstrom anschließen ► Die Spannung



muss mit dem Typenschild des Gerätes übereinstimmen ▶ Schutzklasse I ▶ Geräte dürfen nur an ordnungsgemäß geerdete Stromquellen angeschlossen werden ▶ Aus Sicherheitsgründen empfehlen wir grundsätzlich, das Gerät über einen Fehlerstromschutzschalter (max. 30 mA) zu betreiben ▶ Eine ungeeignete elektrische Verlängerungsleitung kann gefährlich sein ▶ Im Freien nur eine dafür zugelassene, entsprechend gekennzeichnete, elektrische Verlängerungsleitung mit ausreichendem Leitungsquerschnitt verwenden: 1 - 10 m: 1,5 mm<sup>2</sup> ; 10 - 30 m: 2,5 mm<sup>2</sup> ▶ Verlängerungsleitung immer vollständig von der Kabeltrommel abwickeln.

## **SICHERER UMGANG.**

▶ Gefahr; Der Benutzer hat das Gerät bestimmungsgemäß zu verwenden ▶ Er hat die örtlichen Gegebenheiten zu berücksichtigen und beim Arbeiten mit dem Gerät auf Personen im Umfeld zu achten ▶ Wichtige Komponenten, wie Hochdruckschlauch, Handspritzpistole und Sicherheitseinrichtungen, vor jedem Betrieb auf Schäden prüfen ▶ Beschädigte Komponenten unverzüglich austauschen ▶ Gerät mit beschädigten Komponenten nicht in Betrieb nehmen ▶ Hochdruckstrahlen können bei unsachgemäßem Gebrauch gefährlich sein ▶ Der Strahl darf nicht auf Personen, Tiere, aktive elektrische Ausrüstung oder auf das Gerät selbst gerichtet werden ▶ Den Hochdruckstrahl nicht auf andere oder sich selbst richten, um Kleidung oder Schuhwerk zu reinigen ▶ Fahrzeugreifen/Reifenventile können durch den Hochdruckstrahl beschädigt werden und platzen ▶ Erstes Anzeichen hierfür ist eine Verfärbung des Reifens ▶ Beschädigte Fahrzeugreifen/Reifenventile sind lebensgefährlich ▶ Mindestens 30 cm Strahlabstand bei der Reinigung einhalten! ▶ Warnung; Das Gerät nicht verwenden, wenn sich andere Personen in Reichweite befinden, es sei denn, sie tragen Schutzkleidung ▶ Das Gerät darf nicht von Kindern oder nicht unterwiesenen Personen betrieben werden ▶ Dieses Gerät ist nicht dafür bestimmt, durch Personen mit eingeschränkten physischen, sensorischen oder geistigen Fähigkeiten oder mangels Erfahrungen und/oder mangels Wissen benutzt zu werden, es sei denn, sie werden durch eine für ihre Sicherheit zuständige Person beaufsichtigt oder erhalten von ihr Anweisungen, wie das Gerät zu benutzen ist und haben die daraus resultierenden Gefahren verstanden ▶ Kinder dürfen mit dem Gerät nicht spielen ▶ Kinder beaufsichtigen,

um sicherzustellen, dass sie nicht mit dem Gerät spielen ▶ Vorsicht; Vor allen Tätigkeiten mit oder am Gerät Standsicherheit herstellen, um Unfälle oder Beschädigungen durch Umfallen des Geräts zu vermeiden ▶ Durch den austretenden Wasserstrahl an der Hochdruckdüse wirkt eine Rückstoßkraft auf die Handspritzpistole ▶ Für sicheren Stand sorgen, Handspritzpistole und Strahlrohr gut festhalten ▶ Das Gerät niemals unbeaufsichtigt lassen, solange es in Betrieb ist ▶ Achtung; Bei längeren Arbeitspausen Gerät am Geräteschalter ausschalten ▶ Das Gerät nicht bei Temperaturen unter 0 °C betreiben.

## **SONSTIGE GEFAHREN.**

▶ Gefahr; Der Betrieb in explosionsgefährdeten Bereichen ist untersagt ▶ Keine Gegenstände abspritzen, die gesundheitsgefährdende Stoffe (z.B. Asbest) enthalten ▶ Niemals lösungsmittelhaltige Flüssigkeiten oder unverdünnte Säuren und Lösungsmittel ansaugen! ▶ Dazu zählen z.B. Benzin, Farbverdünner oder Heizöl ▶ Der Sprühnebel ist hochentzündlich, explosiv und giftig ▶ Kein Aceton, unverdünnte Säuren und Lösungsmittel verwenden, da sie die am Gerät verwendeten Materialien angreifen ▶ Verpackungsfolien von Kindern fernhalten, es besteht Erstickungsgefahr! ▶ Warnung; Gemäß gültigen Vorschriften darf das Gerät nie ohne Systemtrenner am Trinkwassernetz betrieben werden ▶ Stellen Sie sicher, dass der Anschluss Ihrer Hauswasseranlage, an dem der Hochdruckreiniger betrieben wird, mit einem Systemtrenner gemäß EN 12729 Typ BA ausgestattet ist ▶ Wasser, das durch einen Systemtrenner geflossen ist, gilt nicht mehr als Trinkwasser ▶ Hochdruckschläuche, Armaturen und Kupplungen sind wichtig für die Gerätesicherheit ▶ Nur vom Hersteller empfohlene Hochdruckschläuche, Armaturen und Kupplungen verwenden ▶ Beim Trennen von Zulauf- oder Hochdruckschlauch kann nach dem Betrieb heißes Wasser aus den Anschlüssen austreten ▶ Bei der Auswahl des Lagerortes und beim Transport das Gewicht des Gerätes (siehe Technische Daten) beachten, um Unfälle oder Verletzungen zu vermeiden ▶ Bei Geräten mit einem Hand-Arm Vibrationswert > 2,5 m/s<sup>2</sup> (siehe Technische Daten) ▶ Vorsicht; Mehrstündige, ununterbrochene Benutzung des Gerätes kann in seltenen Fällen zu Taubheitsgefühlen in den Händen führen ▶ Handschuhe tragen ▶ Hände warmhalten ▶ Regelmäßige Arbeitspausen einlegen.

## **ARBEITEN MIT REINIGUNGSMITTEL.**

► Warnung; Dieses Gerät wurde entwickelt für die Verwendung von Reinigungsmitteln, die vom Hersteller geliefert oder empfohlen werden ► Die Verwendung von anderen Reinigungsmitteln oder Chemikalien kann die Sicherheit des Gerätes beeinträchtigen ► Die falsche Verwendung von Reinigungsmitteln kann schwere Verletzungen oder Vergiftungen verursachen ► Reinigungsmittel für Kinder unzugänglich aufbewahren.

## **SICHERHEITSEINRICHTUNGEN.**

► Vorsicht; Sicherheitseinrichtungen dienen dem Schutz des Benutzers und dürfen nicht verändert oder umgangen werden.

## **PERSÖNLICHE SCHUTZAUSRÜSTUNG.**

► Vorsicht; Zum Schutz vor zurückspritzendem Wasser oder Schmutz geeignete Schutzkleidung und Schutz-brille tragen ► Während des Gebrauchs von Hochdruckreinigern können Aerosole entstehen ► Das Einatmen von Aerosolen kann gesundheitliche Schäden zur Folge haben ► Abhängig von der Anwendung können vollständig abgeschirmte Düsen (z. B. Flächenreiniger) zur Hochdruckreinigung verwendet werden, die den Ausstoß von wässrigen Aerosolen deutlich verringern ► Der Einsatz einer solchen Abschirmung ist nicht bei allen Anwendungen möglich ► Wenn der Einsatz einer vollständig abgeschirmten Düse nicht möglich ist, sollte eine Atemschutzmaske der Klasse FFP2 oder vergleichbar, abhängig von der zu reinigenden Umgebung, verwendet werden.

## **EIN SICHERER ARBEITSPLATZ.**

► Der Arbeitsplatz muss sauber und gut beleuchtet sein ► Unordentliche und dunkle Stellen verursachen Unfälle ► Verwenden Sie elektrisches Werkzeug niemals in einer explosionsfähigen Atmosphäre, wie in der Nähe von brennbaren Flüssigkeiten, Gasen und Stäuben ► Wenn Sie mit einem elektrisch gereedschap arbeiten, müssen Kinder und Neugierige fern bleiben ► Ablenkungen können dazu führen, dass Sie die Kontrolle über das Werkzeug verlieren.

## **PERSÖNLICHE SICHERHEIT.**

► Seien Sie aufmerksam, achten Sie auf das, was Sie gerade tun und setzen Sie Ihren gesunden Menschenverstand ein, wenn Sie mit einem elektrisch gereedschap arbeiten ► Verwenden Sie kein elektrisches Werkzeug, wenn Sie müde sind oder unter dem Einfluss von Drogen, Alkohol oder Medikamenten stehen ► Ein Augenblick, in dem Sie abgelenkt sind, während Sie mit einem elektrisch gereedschap arbeiten, kann zu schweren Personenschäden führen.

## **NICHT AUF ZEHENSPITZEN STEHEND ARBEITEN.**

► Stehen Sie mit den Füßen fest auf dem Boden und achten Sie darauf, das Gleichgewicht nicht zu verlieren ► So kontrollieren Sie in unvorhergesehenen Situationen das elektrische Werkzeug besser.

## **ANGEMESSENE KLEIDUNG.**

► Tragen Sie weder lockere Kleidung noch Schmuck ► Halten Sie Haare, Kleidung und Handschuhe von beweglichen Teilen fern ► Lockere Kleidung, Schmuck und lange Haare können von den beweglichen Teilen eingeklemmt werden ► Falls Anschlüsse für Entstaubungsvorrichtungen vorhanden sind, gewährleisten Sie, dass diese korrekt angeschlossen sind und richtig verwendet werden ► Die Verwendung dieser Geräte kann Risiken im Zusammenhang mit Staub verringern.

## **KEIN KABELMISSBRAUCH.**

► Benutzen Sie das Kabel nie, um das Elektrowerkzeug zu tragen, zu ziehen oder von der Steckdose abzutrennen ► Halten Sie das Kabel fern von Hitze, Öl, scharfen Kanten oder beweglichen Teilen ► Beschädigte oder verwickelte Kabel bergen ein erhöhtes Stromschlagrisiko ► Falls Sie ein Elektrowerkzeug im Freien benutzen, müssen Sie ein entsprechend geeignetes Verlängerungskabel verwenden ► Bei Verwendung eines für Außeneinsätze geeigneten Verlängerungskabels besteht eine geringere Stromschlaggefahr ► Sollte der Einsatz eines Werkzeugs in einer feuchten Umgebung unvermeidlich sein, verwenden Sie eine Fehlerstromschutzeinrichtung ► Eine solche Schutzeinrichtung senkt die Stromschlaggefahr.

## **BENUTZUNG UND PFLEGEN VON ELEKTROWERKZEUGEN.**

► Wenden Sie bei der Benutzung des Elektrowerkzeugs keine Gewalt an ► Verwenden Sie ein für den jeweiligen Zweck geeignetes Elektrowerkzeug ► Ein geeignetes Elektrowerkzeug verrichtet die Arbeit besser und sicherer ► Benutzen Sie das Elektrowerkzeug nicht, wenn es sich mit dem Schalter nicht ein- und ausschalten lässt. ► Ein Elektrowerkzeug, das sich nicht mehr mit dem Schalter kontrollieren lässt, ist gefährlich und muss repariert werden ► Ziehen Sie den Netzstecker und/oder entfernen Sie den Netzakku, bevor Sie Einstellungen vornehmen, Zubehör wechseln oder das Gerät lagern ► Solche Vorsichtsmaßnahmen verringern das Risiko eines versehentlichen Gerätstarts.

## AUFBEWAHRUNG VON WERKZEUG MIT DRUCKLUFT.

► Bewahren Sie die abgeschaltete Hochdruckreiniger außerhalb der Reichweite von Kindern und Personen, die mit elektrisch gereedschapen und dieser Gebrauchsanleitung nicht vertraut sind, auf ► Elektrisches Werkzeug sind in den Händen ungeübter Benutzer gefährlich.

## WARTUNG.

► Stellen Sie sicher, dass die beweglichen Teile nicht falsch ausgerichtet oder verklemmt sind, dass es keine defekten Teile oder andere Bedingungen gibt, die das Funktionieren elektrisches Werkzeug beeinträchtigen könnten ► Wenn ein elektrisches Werkzeug beschädigt ist, muss es vor seiner Verwendung repariert werden ► Viele Unfälle werden von schlecht gewarteten elektrisch gereedschapen verursacht ► Benutzen Sie das elektrische Werkzeug sowie dessen Zubehör gemäß dieser Gebrauchsanleitung und so, wie es für den jeweiligen Werkzeugtyp vorgesehen ist. Berücksichtigen Sie die Arbeitsbedingungen und die Art der auszuführenden Arbeit ► Eine zweckfremde Verwendung des elektrisches Werkzeug kann gefährlich sein ► Lassen Sie Ihr elektrisches Werkzeug von einem qualifizierten Reparaturdienst von Werku® überprüfen und verwenden Sie nur Originalersatzteile ► Das garantiert eine dauerhafte Sicherheit Ihres elektrisches Werkzeug.

## VOR ARBEITSBEGINN.

► Vor Verwendung der Hochdruckreiniger stellen Sie sicher, dass diese fest aufliegt ► Achten Sie darauf, dass sich niemand unterhalb des Einflussbereiches der Hochdruckreiniger befindet, wenn Sie in der Höhe arbeiten ► Halten Sie die Hände fern von den beweglichen Teilen der Hochdruckreiniger.

## BEI BETRIEB.

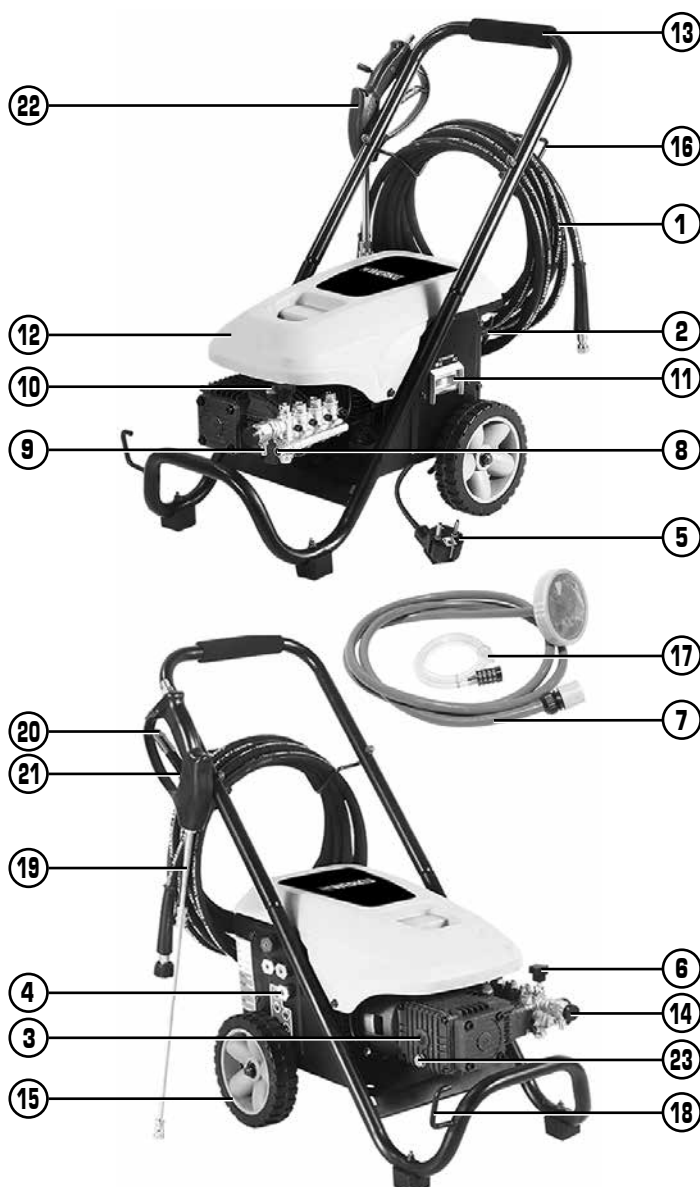
► Wenn die Hochdruckreiniger nicht fest in den Händen liegt, lassen Sie sie ausgeschaltet ► Nehmen Sie sie nur in Betrieb, wenn Sie sich sicher sind, dass Sie sie vollständig unter Kontrolle haben ► Zielen Sie auf niemanden mit eingeschalteter Hochdruckreiniger ► Beim Arbeiten kann die Hochdruckreiniger vibrieren ► Die Schrauben können sich nach und nach lösen und eine Störung oder einen Unfall verursachen ► Halten Sie die Hände von den beweglichen Teilen der Hochdruckreiniger fern.

## NACH ARBEITSENDE.

► Berühren Sie nach Gebrauch nicht das an der Hochdruckreiniger angebrachte Zubehör ► Es kann sehr heiß sein und Verbrennungen verursachen ► Einige Materialien, mit denen gearbeitet wird, können toxische chemische Substanzen enthalten ► Seien Sie vorsichtig und vermeiden Sie das Einatmen dieser Substanzen und den Hautkontakt damit ► Verwenden Sie die PSA, um sich vor solchen Zwischenfällen zu schützen und diese zu vermeiden.

## ZUSÄTZLICHE SICHERHEITSHINWEISE. PRODUKTBESCHREIBUNG.

► Die Hochdruckreiniger dient zur Durchführung von Reinigungsarbeiten ► Beachten Sie dieses Schema, um sich mit der Hochdruckreiniger vor ihrer Verwendung vertraut zu machen.



1. Hochdruckschlauch.
2. Kabelhalter.
3. Ölstandsanzeige.
4. Düsenablage.
5. Elektrozuleitung.
6. Druckregler.
7. Wasserversorgungsschlauch.
8. Wasserzufluss.
9. Seifeneinlass.
10. Öleinlass.
11. Schalter.
12. Haube.
13. Tragegriff.
14. Hochdruckschlauchauslass.
15. Rad.
16. Schlauchtrommel.
17. Reinigungsmittel-Saugschlauch mit Filter.
18. Strahlrohr Halterung.
19. Strahlrohr.
20. Abzugsicherung.
21. Abzugs.
22. Handspritzpistole.
23. Ölablassschraube.

## **BEDIENUNGSANLEITUNG.**

► Bevor Sie die Hochdruckreiniger einschalten, sollten Sie alle angegebenen Anweisungen vollständig und gründlich durchlesen ► Ebenso sollten Unfallverhütungsvorschriften, Regeln und Richtlinien sowie die für die Betriebe geltenden Gesetze und Einschränkungen berücksichtigt werden ► Die Hochdruckreiniger darf nur von in ihrer Bedienung angemessen geschulten Personen und ausschließlich zu den vorgesehenen Zwecken verwendet werden.

## **STROMVERSORGUNG.**

► Achten Sie darauf, dass die Stromversorgung den auf dem Typenschild der Hochdruckreiniger angegebenen Anforderungen entspricht (1) ► Das Laufenlassen des Motors mit Unterspannung bewirkt, dass er langsam arbeitet ► Dies verringert die Leistung und kann zur Überhitzung des Motors führen.

## **VERLÄNGERUNGSKABEL.**

► Wenn der Arbeitsbereich von der Stromversorgung entfernt liegt, verwenden Sie ein Verlängerungskabel von ausreichendem Durchmesser und Qualität.

## **ÖLEINLASSSTOPFEN.**

► Vorsicht: Der rote Pumpenstecker ist speziell für den Transport ausgelegt. Ersetzen Sie vor der

Verwendung des Hochdruckreinigers den roten Stecker durch den gelben oder messingfarbenen Stecker, die sich im Ersatzteilpaket befinden (2).

## **DRUCKREGLER.**

► Die Druckeinstellung ist werksseitig voreingestellt, um eine optimale Druck- und Reinigungsleistung zu erzielen ► Wenn Sie den Druck reduzieren müssen, stehen Ihnen folgenden Methoden zur Verfügung: ► 1- Halten Sie Abstand von der zu reinigenden Fläche ► Je weiter der Benutzer entfernt ist, desto geringer ist der Druck auf der zu reinigenden Fläche ► Vorsicht: Versuchen Sie nicht, den Druck der Pumpe zu erhöhen, denn ein Druck, der den werksseitig voreingestellten übersteigt, kann die Pumpe beschädigen ► 2- Schalten Sie auf die weiße 40°-Düse um ► Diese Düse sorgt für einen weniger starken Wasserdurchfluss und sprüht weitflächiger ► 3- Einstellen des Pumpendruckreglers ► Drehen Sie den Druckregler gegen den Uhrzeigersinn, um den Druck zu senken ► Nach Beendigung der Verwendung des Hochdruckreinigers stellen Sie den Druckregler wieder auf seine Ausgangsposition, indem Sie ihn im Uhrzeigersinn drehen ► Vorsicht: Drehen Sie den Druckregler nicht über die angegebene Stopplinie hinaus, da ansonsten die Pumpe beschädigt wird.

## **DÜSENTYPEN.**

► Der Hochdruckreiniger ist mit vier Sprühdüsen ausgestattet ► Jede Düse hat eine andere Farbe und bietet ein spezifisches Sprühmuster für die jeweiligen Reinigungsarbeiten (3) ► Vorsicht: Der Hochdruckreiniger kann Flächen aus Holz, Glas, Autolack, Zierstreifen und Verkleidungen an Fahrzeugen sowie empfindliche Gegenstände wie Blumen und Büsche beschädigen ► Prüfen Sie vor dem Sprühen, dass das zu reinigende Teil resistent genug ist, um nicht von der Sprühkraft beschädigt zu werden.

## **AUSWECHSELN DER DÜSEN.**

► Vorsicht: Versuchen Sie nicht, die Düsen auszuwechseln, während der Hochdruckreiniger in Betrieb ist ► Stellen Sie den Motor oder die Spritzpistole aus, bevor Sie die Düse auswechseln ► Schieben Sie die Schnellfixierung nach hinten und setzen Sie die Düse ein ► Lassen Sie die Schnellfixierung los und drehen Sie die Düse, um sicherzustellen, dass sie sicher mit dem Schnellanschlussstopfen verbunden ist

(4) ►Warnung: Verletzungsgefahr ►Vergewissern Sie sich, dass die Düse vollständig mit dem Schnellanschlussstopfen verbunden ist, bevor Sie den Abzug der Spritzpistole betätigen.

## REINIGUNG DER DÜSEN.

►Wenn die Düse mit Schmutz verstopft ist, kann es zu Überdruck kommen ►Wenn die Düse verstopft ist oder teilweise ausfällt, vibriert die Druckpumpe ►Reinigen Sie die Düse umgehend. Verwenden Sie den mitgelieferten Düsensatz und befolgen Sie die folgende Anleitung: ►1- Schalten Sie das Gerät aus und unterbrechen Sie den Wasserzufluss ►2- Betätigen Sie den Pistolenabzug, um den Wasserdruck zu verringern ►3- Nehmen Sie die Lanze der Sprühpistole ab ►4- Nehmen Sie die Düse von der Lanze ►Entfernen Sie jegliche Verstopfung und spülen Sie die Düse mit dem mitgelieferten Werkzeug zur Düsenreinigung und sauberem Wasser aus(5) ►5- Richten Sie die Wasserzufuhr 30 Sekunden lang auf das Ende des Spülrohrs, um alle verbleibenden Schutzteilchen auszuspülen (6) ►6- Montieren Sie die Düse wieder an der Lanze und vergewissern Sie sich, dass sie sicher befestigt ist ►7- Schließen Sie die Lanze wieder an die Sprühpistole an und öffnen Sie den Wasserzulauf ►8- Nehmen Sie den Hochdruckreiniger wieder in Betrieb und stellen Sie die Lanze auf Hochdruck ein, um den korrekten Betrieb zu testen.

## CHEMIKALIEN UND REINIGUNGSMITTEL.

►Warnung: Sprühen Sie Chemikalien und Reinigungsmittel mit dem niedrigsten Druck auf ►Verwenden Sie ausschließlich für Hochdruckreiniger geeignete Chemikalien und Reinigungsmittel oder milde Seifen ►Der Hochdruckreiniger kann Reinigungsmittel und andere Chemikalien aus einem separaten Tank ansaugen ►Geben Sie die Chemikalien oder das Reinigungsmittel in den separaten Tank ►Vorsicht: Geben Sie Wasser zu den Chemikalien oder Reinigungsmitteln, die zu dickflüssig sind, um angesaugt zu werden ►Stecken Sie den Schlauch in den separaten Tank (7) ►Verwenden Sie die schwarze Düse für Chemikalien ►Beginnen Sie mit dem Sprühen ►Nach der Verwendung von Chemikalien schütten Sie sauberes Wasser in den separaten Tank und lassen Sie es durch das Injektionssystem für Chemikalien herauslaufen,

um das Gerät gründlich auszuspülen ►Wenn Chemikalien in der Pumpe verbleiben, kann diese Schaden nehmen ►Warnung: Chemikalien oder Reinigungsmittel werden nicht ausgestoßen, wenn die Lanze auf Hochdruck gestellt ist.

## GEBRAUCHSANLEITUNG.

►Wichtig: Vor der Inbetriebnahme müssen Sie prüfen, ob alle Muttern und Schrauben fest genug angezogen sind und ob die Wasser- und Stromversorgung dem Bedarf des Hochdruckreinigers entsprechen ►Es ist auch wichtig, den Wasserfilter vor dem Einsatz des Hochdruckreinigers zu überprüfen ►Wichtig: Ein sauberer Filter gewährleistet eine gute Leistung und eine lange Lebensdauer des Hochdruckreinigers ►Schließen Sie den Wasserzulauf mit einem Panzerschlauch an die Einlassöffnung an ►Vorsicht: Der Hochdruckreiniger hat keinen Strömungsschalter, die Wasserzufuhr muss 15 Liter pro Minute betragen ►Vorsicht: Die Temperatur des Einlasswassers darf 50°C nicht überschreiten ►Schließen Sie die Lanze an die Sprühpistole an und ziehen Sie sie fest (8) ►Führen Sie den Schnellanschlussstopfen des Hochdruckschlauchs in den Wasserauslass ein und das andere Ende in den Abzug der Spritzpistole (9).

## STROMVERSORUNG.

►Vergewissern Sie sich, dass die Netzspannung mit der auf dem Typenschild des Hochdruckreinigers übereinstimmt ►Warnung: Stellen Sie sicher, dass der Stecker den örtlichen Vorschriften entspricht und über eine Erdverbindung verfügt ►Warnung: Die Steckdose muss durch einen Fehlerstromschutzschalter mit einer Empfindlichkeit von weniger als 30 mA geschützt sein ►Schließen Sie keine anderen Geräte an die gleiche Steckdose an ►Warnung: Stecken Sie den Stecker ein, nachdem Sie sich vergewissert haben, dass der Schalter des Hochdruckreinigers auf OFF (AUS) gestellt ist.

## INBETRIEBNAHME.

►Schließen Sie die Wasserversorgung an und lösen Sie dann den Abzug der Pistole ►Schalten Sie den Hochdruckreiniger ein ►Warnung: Im Falle eines Stromausfalls während des Betriebs schalten Sie den Hochdruckreiniger aus Sicherheitsgründen

aus ► Halten Sie die Pistole einige Sekunden lang in geöffneter Position, damit die Luft aus dem Schlauch entweicht ► Stellen Sie jetzt den gewünschten Druck ein ► Denken Sie daran, dass der normale Betriebsdruck nicht überschritten werden sollte, verwenden Sie den maximalen Druck deshalb so selten wie möglich ► Während des Gebrauchs sollte der Sprühkopf nicht weit von der zu reinigenden Fläche entfernt sein ► Warnung: Verwenden Sie den Hochdruckreiniger nicht, wenn sich Personen in Reichweite des Wasserstrahls befinden ► Nach Beendigung des Reinigungsvorgangs halten Sie die Sprühpistole an ► Schalten Sie den Motor innerhalb von höchstens 2 Minuten aus, da sich das Auslassventil nach dem Ausschalten der Pistole weiter bewegt und das Wasser in der Pumpe zirkuliert, wodurch das Wasser erwärmt wird und der Dichtring oder andere Zubehörteile beschädigt werden könnten ► Während des Betriebs ist es normal, wenn kleine Mengen Wasser aus der Pumpe austreten ► Das beeinträchtigt den Betrieb des Hochdruckreinigers nicht.

## **SICHERHEITSVENTIL.**

► Das Sicherheitsventil funktioniert auch als Druckbegrenzungsventil ► Wenn der Abzug der Sprühpistole ausgelöst wird, öffnet sich das Sicherheitsventil und das Wasser zirkuliert durch den Pumpeneinlass.

## **AUSSCHALTEN.**

► Wenn Sie den Reinigungsvorgang beenden, schalten Sie den Hochdruckreiniger aus und halten die Sprühpistole einige Sekunden lang in geöffneter Position, um das Wasser aus dem Schlauch abzulassen.

## **AUSWECHSELN DES PUMPENÖLS.**

► Der Ölstand sollte regelmäßig geprüft werden ► Sehr wichtig: Das Öl muss nach den ersten 50 Arbeitsstunden gewechselt werden und dann alle 100 Stunden ► Auf jeden Fall muss das Öl mindestens einmal im Jahr gewechselt werden ► Verwenden Sie Motoröl vom Typ SAE 15W-40 oder ein gleichwertiges ► Lassen Sie das alte Pumpenöl vollständig durch die Ölablassschraube ab (10) ► Setzen Sie die Ölablassschraube wieder ein und geben Sie

sauberes Kerosin in die Ölwanne (11) ► Der Kerosinstand muss die Mittellinie des Ölspiegels leicht überschreiten (12) ► Lassen Sie danach den Hochdruckreiniger ca. 10-15 Sekunden lang leer laufen, stellen Sie ihn aus und lassen Sie das gesamte Kerosin auslaufen ► Danach füllen Sie neues Öl ein ► Der Ölstand sollte leicht über der roten Markierung des Ölspiegels liegen (13).

## **LAGERUNG UND FROST.**

► Wenn der Hochdruckreiniger an einem Ort mit Frostgefahr gelagert wird oder wenn er länger als drei Monate nicht benutzt wird, sollte ein wenig Frostschutzmittel in die Pumpe gegeben werden ► Wichtig: Wenn das Gerät längere Zeit nicht in Betrieb genommen wird, können sich Kalkablagerungen bilden, die entfernt werden müssen.

## **WARTUNG.**

► Wenn Sie den Hochdruckreiniger für einen längeren Zeitraum nicht verwenden, müssen Sie das Wasser vollständig ablassen ► Nehmen Sie den Wasserzulaufschlauch ab und schalten Sie den Hochdruckreiniger eine halbe Minute lang ein ► Schalten Sie auch die Sprühpistole ein, um das verbleibende Wasser abzulassen ► Die Hochdruckreiniger wurde entworfen, um mit minimaler Wartung lange Zeit zu funktionieren ► Das optimale Funktionieren hängt von guter Pflege der Hochdruckreiniger und häufiger Reinigung ab ► Um Unfälle zu vermeiden, müssen Sie die Hochdruckreiniger immer von der Steckdose trennen, bevor Sie sie reinigen oder warten ► Die Hochdruckreiniger muss nach jedem Gebrauch wirksam mit Pressluft gereinigt werden ► Verwenden Sie immer eine Schutzbrille, wenn Sie mit Pressluft arbeiten ► Wenn Sie keine Pressluft verwenden, entfernen Sie den Staub der Hochdruckreiniger mit Hilfe einer Bürste ► Die Lüftungsschlitze des Motors und die Schalter müssen immer sauber und ohne jegliche Art von Rückständen sein ► Versuchen Sie nicht, sie durch Einführen spitzer Gegenstände in die Öffnungen zu reinigen ► Einige Reinigungs- und Lösungsmittel wie Benzin, Tetrachlormethan, chlorierte lösemittelbasierte Reiniger, Ammoniak und ammoniakhaltige Haushaltsreiniger beschädigen die Kunststoffteile ► Verwenden Sie keines der genannten Produkte zum Reinigen der Hochdruckreiniger ► Wenn es zu starkem

Funkenschlag kommt, veranlassen Sie eine Überprüfung und/oder einen Austausch der Bürsten durch den offiziellen Reparaturservice Werku®.

## **UMWELTSCHUTZ.**

► Die Materialien und Bauteile, die für die Herstellung dieses Produkts verwendet wurden, können recycelt und wiederverwertet werden

► Werku® arbeitet mit einem Integrierten Abfallbewirtschaftungssystem, das die korrekte Entsorgung der Rückstände dieses Produkts abwickelt ► Werfen Sie dieses Produkt nicht in den Haushaltsmüll ► Werku® bietet seinen Kunden einen kostenlosen Service, um diese Rückstände von einer der Verkaufsstellen, den vom Integrierten Abfallbewirtschaftungssystem eingerichteten Sammelstellen oder den Abfallsammelstellen Ihrer Gemeinde abzuholen.

## **GARANTIE UND KUNDENSERVICE.**

► Neben der gesetzlichen Garantie räumt Werku® Ihnen zusätzlich eine kommerzielle Garantie ein ► Die kommerzielle Garantie umfasst die Reparatur von Mängeln aufgrund von Material- oder Fabrikationsfehlern ► Damit diese Garantie gewährleistet wird, müssen diese Mängel innerhalb des Gültigkeitszeitraums auftreten ► Der Verbraucher hat das Recht auf kostenlose Reparatur von Mängeln, die von Werku® als in der kommerziellen Garantie eingeschlossen anerkannt werden (einschl. Versand-, Verarbeitungs- oder Materialkosten); nach Wahl von Werku® entweder durch Reparatur oder durch Ersatz (falls erforderlich, durch ein späteres Modell) ► Diese kommerzielle Garantie betrifft nicht die in der EU-Richtlinie 1999/44/EG festgelegten Verbraucherrechte ► Der Gültigkeitszeitraum dieser kommerziellen Garantie beträgt 24 Monate ► Falls das Produkt für den gewerblichen oder industriellen Gebrauch bestimmt ist, beträgt der Gültigkeitszeitraum 12 Monate ► Der Gültigkeitszeitraum beginnt ab dem Datum des Kaufes durch den erstmaligen Verbraucher ► Dieses Datum ist auf der Rechnung oder dem Kaufbeleg enthalten ► Die Zeit für Gewährleistungsansprüche im Hinblick auf die Erfüllung dieser kommerziellen Garantie ist auf sechs Monate ab Ende des Gültigkeitszeitraums festgelegt ► Eine Reklamation im Zusammenhang mit dieser kommerziellen Garantie muss dem Händler oder Kundenservice vorgelegt werden ► Hierzu

muss diese Garantie ordnungsgemäß ausgefüllt, vom Händler gestempelt und zusammen mit der Rechnung oder dem Kaufbeleg vorgelegt werden ► Für weitere Informationen zu dieser kommerziellen Garantie können sich der Käufer oder der Händler telefonisch über +34 981 648 119 oder über E-Mail an [info@werku.com](mailto:info@werku.com) mit dem Kundenservice in Verbindung setzen ► Ausgenommen von dieser kommerziellen Garantie sind Mängel, die infolge von verschlissenen Teilen durch den Gebrauch oder eine andere Art von natürlichem Verschleiß verursacht wurden, Mängel aufgrund von Unaufmerksamkeit oder Nichtbefolgung der Bedienungsanleitung und unsachgemäßem Betrieb, eine Benutzung, die nicht dem Gebrauch entspricht, für den das Produkt bestimmt ist, ungewöhnliche Umweltfaktoren, Überlastung, unangemessene Wartung oder Reinigung, Mängel aufgrund der Verwendung von Zubehör, Ergänzungen oder Ersatzteilen, die keine Originalteile von Werku® sind, wenn das Produkt durch Personal, das nicht zum Kundenservice gehört, ganz oder teilweise auseinander montiert, verändert oder repariert wurde oder kleine und für den Gebrauch und ordnungsgemäßen Betrieb unwesentliche Unregelmäßigkeiten ► Durch Reparaturen und Ersatz wird der Gültigkeitszeitraum für diese kommerzielle Garantie weder verlängert noch neu festgelegt ► Ersetzte Teile gehen in das Eigentum von Werku® über ► Wenn der Käufer das Produkt an den Kundenservice zurückgibt und dabei nicht die Bedingungen dieser kommerziellen Garantie erfüllt, gehen die Kosten und Gefahren zu Lasten des Käufers ► Diese kommerzielle Garantie gilt auf dem Gebiet der Europäischen Union ► Das für die Erfüllung der kommerziellen Garantie verantwortliche Unternehmen Werku® ist Werku Tools SA.

## **TECHNISCHE BERATUNG.**

► Werku® stellt Ihnen seine technische Abteilung zur Verfügung, damit Sie alle Fragen, die zu unseren Produkten auftreten könnten, klären können ► Wenn Sie sich mit unserem Team in Verbindung setzen möchten, senden Sie eine E-Mail an folgende Adresse: [info@werku.com](mailto:info@werku.com).

## DÉCLARATION DE CONFORMITÉ CE.

► Werku® déclare que le nettoyeur haute pression **WK400720** est en conformité avec les directives et normes européennes 2006/42/CE, EN60335-1:2012/A11, EN60335-2-79:2012 et EN62233:2008.

La Coruña, 01/07/2019

R Yáñez

Werku Tools SA

## CARACTÉRISTIQUES TECHNIQUES.

► Voltage-fréquence 230V~50Hz ► Puissance 3700W ► Classe I ► Indice de protection IPX5  
► Révolutions 2900 min<sup>-1</sup> ► Pression travail 180 bar  
► Pression maximale 200 bar ► Débit travail 7 l/min<sup>-1</sup>  
► Débit maximale 9.5 l/min<sup>-1</sup> ► Température maximale 50°C ► Poids net 55 kg ► Pression acoustique LpA ≤70 dB(A) ► Vibration Aw ≤2.5 m/s<sup>2</sup>.

## PICTOGRAMMES.



Attention



Risque de choc électrique



Ne pas se connecter directement au réseau d'eau



Risque de jet haute pression



Lire le manuel d'instructions



Utilisez une protection oculaire



Utiliser une protection des mains



Utiliser une protection corporelle



Conformité européenne



Double isolation



Déchets équipements électriques et électroniques

## CONSIGNES DE SÉCURITÉ.

► Veuillez lire toutes les consignes de sécurité et tous les avertissements ► Le non respect de l'ensemble des avertissements et des consignes figurant ci-dessous peut être la cause d'un choc électrique, d'un incendie et/ou de blessures graves ► Conservez tous les avertissements et toutes les consignes pour vous y référer ultérieurement ► Les accidents peuvent dans de nombreux cas être évités en identifiant les situations dangereuses avant qu'un accident ne se produise et en respectant fidèlement les procédures de sécurité adéquates ► N'utilisez jamais ce nettoyeur haute pression dans les cas non spécifiés dans ce manuel.

## COMPOSANTS ÉLECTRIQUES.

► Danger; risque d'électrocution ► Ne jamais saisir la fiche secteur ni la prise de courant avec des mains humides ► Vérifier avant chaque utilisation que le câble d'alimentation et la fiche secteur ne sont pas endommagés ► Un câble d'alimentation endommagé doit immédiatement être remplacé par le service après-vente ou un électricien agréé ► Ne pas mettre en service un appareil avec un câble d'alimentation électrique endommagé ► Toutes les pièces conductrices dans la zone de travail doivent être protégées contre les jets d'eau ► La fiche secteur et le couplage d'une conduite de rallonge doivent être étanches et ne doivent pas reposer dans l'eau ► Le raccord ne doit pas se situer sur le sol ► Il est recommandé d'utiliser des enrouleurs de câble qui garantissent le fait que les prises se trouvent à au moins 60 mm au-dessus du sol ► Veiller à ne pas abîmer ni endommager le câble d'alimentation ni le câble de rallonge en roulant dessus, en les coinçant ni en tirant violemment dessus ► Protéger les câbles d'alimentation contre la chaleur, l'huile et les bords tranchants ► Avant tout travail d'entretien et de maintenance, mettre l'appareil hors tension et débrancher la fiche secteur ► Seul le service après-vente agréé est autorisé à effectuer des travaux de réparation ou des travaux concernant les pièces électriques de l'appareil ► Avertissement; l'appareil doit uniquement être raccordé à un branchement électrique mis en service par un électricien conformément à la norme IEC 60364 ► Branchement l'appareil uniquement à du courant alternatif ► La tension doit être identique avec celle



indiquée sur la plaque signalétique de l'appareil  
► Classe de protection I ► Brancher les appareils uniquement aux sources d'électricité dûment mises à la terre ► Pour des raisons de sécurité, nous recommandons que l'appareil soit exploité avec un disjoncteur de courant de défaut (max. 30 mA) ► Un câble électrique de rallonge inapproprié risque d'être dangereux ► S'il est utilisé en plein air, utiliser pour cela un câble électrique de rallonge homologué, marqué en conséquence et disposant d'une section de câble suffisante : 1 - 10 m: 1,5 mm<sup>2</sup> ; 10 - 30 m: 2,5 mm<sup>2</sup> ► Toujours dérouler entièrement les rallonges de l'enrouleur de câble.

## MANIPULATION FIABLE.

► Danger; l'utilisateur doit utiliser l'appareil de façon conforme ► Il doit prendre en considération les données locales et lors du maniement de l'appareil, il doit prendre garde aux tierces personnes, et en particulier aux enfants ► Avant toute utilisation, vérifier l'état des composants importants, comme le flexible haute pression, la poignée pistolet et les dispositifs de sécurité ► Remplacer immédiatement les composants endommagés ► Ne pas mettre en service un appareil avec des composants endommagés ► Une utilisation incorrecte des jets haute pression peut présenter des dangers ► Le jet ne doit pas être dirigé sur des personnes, des animaux, des installations électriques actives ni sur l'appareil lui-même ► Ne jamais diriger le jet haute pression sur soi-même ni sur d'autres personnes dans le but de nettoyer les vêtements ou les chaussures ► Le jet haute pression risque d'endommager les pneus/valves de véhicules et les pneus risquent d'éclater ► Le premier indice d'endommagement est une décoloration du pneu ► Des pneus/valves de véhicules endommagés présentent des dangers de mort ► Il faut toujours se tenir au moins à 30 cm des pièces pour les laver au jet! ► Avertissement; l'appareil ne doit jamais être utilisé si d'autres personnes se trouvent dans le rayon de portée de l'appareil, à moins que ces personnes ne portent des vêtements de protection ► L'appareil ne doit jamais être utilisé par des enfants ni par des personnes non avisées ► Cet appareil n'est pas destiné à être utilisé par des personnes ayant des capacités physiques, sensorielles ou mentales réduites ou manquant d'expérience et/ou de connaissances, sauf si ces mêmes personnes sont sous la supervision d'une personne responsable de leur sécurité ou ont été formées à l'utilisation de l'appareil ► Les enfants ne doivent pas jouer avec l'appareil ► Surveiller les enfants pour s'assurer qu'ils ne jouent pas avec l'appareil ► Précaution; avant d'effectuer toute opération avec ou sur l'appareil, en assurer la stabilité afin d'éviter tout accident ou tout

endommagement dû à une chute de l'appareil ► Le jet d'eau sortant de la buse haute pression provoque une force de recul sur la poignée pistolet ► Veiller à adopter une position stable et à tenir la poignée et la lance fermement ► Ne jamais laisser l'appareil sans surveillance lorsqu'il est en marche ► Attention; lors de pauses prolongées, mettre l'appareil hors service au niveau de l'interrupteur d'appareil ► Ne pas exploiter l'appareil à des températures inférieures à 0 °C.

## AUTRES DANGERS.

► Danger; Il est interdit d'utiliser l'appareil dans des domaines présentant des risques d'explosion ► Ne jamais laver au jet des objets contenant des substances nocives (par exemple de l'amiante) ► Ne jamais aspirer des liquides contenant des solvants ni des acides ou des solvants non dilués, tels que par exemple de l'essence, du diluant pour peinture ou du fioul! ► Le nuage de pulvérisation est extrêmement inflammable, explosif et toxique ► Ne pas utiliser d'acétone, d'acides ni de solvants non dilués, du fait de leur effet corrosif sur les matériaux constituant l'appareil ► Tenir les feuilles d'emballage hors de la portée d'enfants Risque d'asphyxie! ► Avertissement; conformément à la réglementation en vigueur, l'appareil ne doit pas être exploité sans système de séparation sur le réseau d'eau potable ► S'assurer que le raccord d'eau auquel le nettoyeur haute pression est relié pour son exploitation est équipé d'un système de séparation conforme à la norme EN 12729 type BA ► L'eau qui s'est écoulée à travers un séparateur système est classifiée comme non potable ► Les flexibles haute pression, les armatures et les raccords sont importants pour la sécurité de l'appareil ► N'utiliser que des flexibles haute pression, des armatures et des raccords recommandés par le fabricant ► En cas de séparation du flexible d'amenée ou haute pression, de l'eau chaude peut s'échapper des raccords pendant le fonctionnement ► Précaution; tenir compte du poids de l'appareil (voir les caractéristiques techniques), lors du choix de son emplacement d'entreposage et de son transport, afin d'éviter tout accident ou toute blessure ► Dans le cas d'appareils dont la valeur de vibration au niveau du bras et de la main est > 2,5 m/s<sup>2</sup> (voir les caractéristiques techniques) ► Précaution; l'utilisation sans interruption de l'appareil pendant plusieurs heures peut être, dans de rares cas, à l'origine de sensation d'engourdissement des mains ► Porter des gants de protection ► Maintenir les mains au chaud ► Veiller à faire des pauses de travail régulières.

## **TRAVAIL AVEC DÉTERGENT.**

► Avertissement; cet appareil a été développé pour l'utilisation de détergents ayant été fournis ou recommandés par le fabricant  
► L'utilisation d'autres détergents ou d'autres produits chimiques peut nuire à la sécurité de l'appareil  
► La mauvaise utilisation de détergents peut entraîner de sérieuses blessures ou des intoxications  
► Conserver les produits de nettoyage hors de la portée des enfants.

## **DISPOSITIFS SÉCURITÉ.**

► Précaution; le but des dispositifs de sécurité est de protéger l'utilisateur  
► Ils ne doivent en aucun cas être transformés ou désactivés.

## **ÉQUIPEMENTS PROTECTION PERSONNELS.**

► Précaution; pour se protéger contre les éclaboussures ou les poussières, porter le cas échéant des vêtements et des lunettes de protection  
► Aucun aérosol ne peut être créé pendant l'utilisation de nettoyeurs haute pression  
► L'inhalation d'aérosols peut entraîner des dommages sur la santé  
► En fonction de l'application, il est possible d'utiliser des buses complètement blindées (p. ex. nettoyeur de surface) pour le nettoyage haute pression, car elles réduisent sensiblement l'émission d'aérosols aqueux  
► L'utilisation d'une tel blindage ne s'avère pas possible pour toutes les applications  
► Si l'utilisation d'une buse intégralement blindée s'avère impossible, utiliser alors un masque respiratoire de la classe FFP2 ou un masque comparable, en fonction de l'environnement à nettoyer.

## **SÉCURITÉ DE LA ZONE DE TRAVAIL.**

► Conservez la zone de travail rangée et bien éclairée  
► Les zones mal rangées et mal éclairées sont sources d'accidents  
► Ne manipulez pas d'outils électriques dans des environnements explosifs comme en présence de liquides, de gaz ou de poussières inflammables  
► Maintenez les enfants et les curieux éloignés pendant que vous manipulez un outil électrique  
► Les distractions peuvent être sources d'une perte de contrôle.

## **SÉCURITÉ PERSONNELLE.**

► Soyez vigilant et attentif à ce que vous faites et faites appel à votre bon sens quand vous manipulez un outil électrique  
► N'utilisez pas d'outil électrique si vous êtes fatigué ou sous l'influence de drogues, d'alcool ou de médicaments  
► Un moment de distraction pendant que vous manipulez des outils électriques peut vous causer de graves blessures corporelles.

## **NE TRAVAILLEZ PAS SUR LA POINTE DES PIEDS.**

► Maintenez vos pieds bien à plat sur le sol et conservez votre équilibre à tout moment  
► Cela vous permettra de mieux contrôler l'outil électrique en cas d'imprévu.

## **HABILLEZ-VOUS EN CONSÉQUENCE.**

► Ne portez pas de vêtements flottants ou des bijoux  
► Éloignez vos cheveux, vos vêtements et vos gants des pièces en mouvement  
► Les vêtements flottants, les bijoux ou les cheveux longs peuvent être pris dans les pièces en mouvement  
► S'il existe des dispositifs pour la connexion de moyens d'extraction et de ramassage de la poussière, assurez-vous qu'ils soient branchés et qu'ils fonctionnent correctement  
► L'utilisation de ces dispositifs peut réduire les risques liés à la poussière.

## **N'ABUSEZ PAS DU CÂBLE.**

► Ne jamais utiliser le câble de branchement pour soulever, porter ou débrancher l'outil électrique  
► Maintenez le câble éloigné de la chaleur, de l'huile, des objets et bords tranchants ou des pièces en mouvement  
► Les câbles endommagés ou emmêlés augmentent le risque d'électrocution  
► Lorsque vous manipulez un outil électrique à l'extérieur, utilisez une rallonge adaptée à une utilisation en extérieur  
► L'utilisation d'une rallonge adaptée à un usage en extérieur réduit le risque d'électrocution  
► Si l'utilisation d'un outil électrique dans un endroit humide est inévitable, utilisez une alimentation protégée par un dispositif de courant résiduel (RCD)  
► L'utilisation d'un RCD réduit le risque d'électrocution.

## **UTILISATION ET ENTRETIEN DES OUTILS ÉLECTRIQUES.**

► Ne forcez pas sur l'outil électrique  
► Utilisez l'outil électrique approprié à la tâche à effectuer  
► Utiliser un outil électrique adapté garantit un meilleur travail et l'utiliser au rythme pour lequel il a été conçu constitue une garantie de sécurité  
► N'utilisez pas l'outil électrique si le bouton ne peut pas être positionné sur « off » et « on »  
► Toute machine électrique est dangereuse si elle ne peut pas être maîtrisée par un bouton d'arrêt. Dans ce cas, elle doit être réparée  
► Débranchez la prise de la source d'alimentation et/ou de la batterie avant tout réglage, changement d'accessoires ou stockage de l'outil électrique  
► Adopter ces mesures préventives de sécurité réduit le risque de démarrer l'outil de manière accidentelle.

## STOCKEZ LES OUTILS ÉLECTRIQUES.

► Rangez les outils électriques inutilisés hors de portée des enfants et n'autorisez pas leur maniement par des personnes non familiarisées avec ce type d'outils ou méconnaissant les consignes de sécurité ► Les outils électriques sont dangereux entre les mains d'utilisateurs non avertis.

## ENTRETIEN.

► Vérifiez que les parties mobiles ne sont pas désalignées ou entravées, qu'il n'y a pas de pièces cassées ou d'autres conditions qui peuvent affecter le fonctionnement des outils électriques ► Les outils électriques doivent être réparés avant leur utilisation quand ils sont endommagés ► De nombreux accidents sont causés par des outils électriques mal entretenus ► Utilisez ces outils électriques et leurs accessoires en respectant ces instructions et le mode d'utilisation prévu pour chaque type d'outils électriques, en tenant compte des conditions de travail et de la tâche à effectuer ► L'utilisation de l'outil électrique à des fins autres que celles spécifiées pourrait provoquer une situation de danger ► Faites réviser vos outils électriques par un service officiel de réparation Werku® en utilisant uniquement des pièces de rechange identiques ► C'est une garantie de sécurité pour votre outil.

## AVANT DE COMMENCER À TRAVAILLER.

► Avant d'utiliser le nettoyeur haute pression, assurez-vous qu'il est fermement calé ► Vérifiez que personne ne se trouve dans la zone d'action du nettoyeur haute pression quand vous effectuez des travaux dans des zones en hauteur ► Éloignez vos mains des parties du nettoyeur haute pression en mouvement.

## PENDANT LE FONCTIONNEMENT.

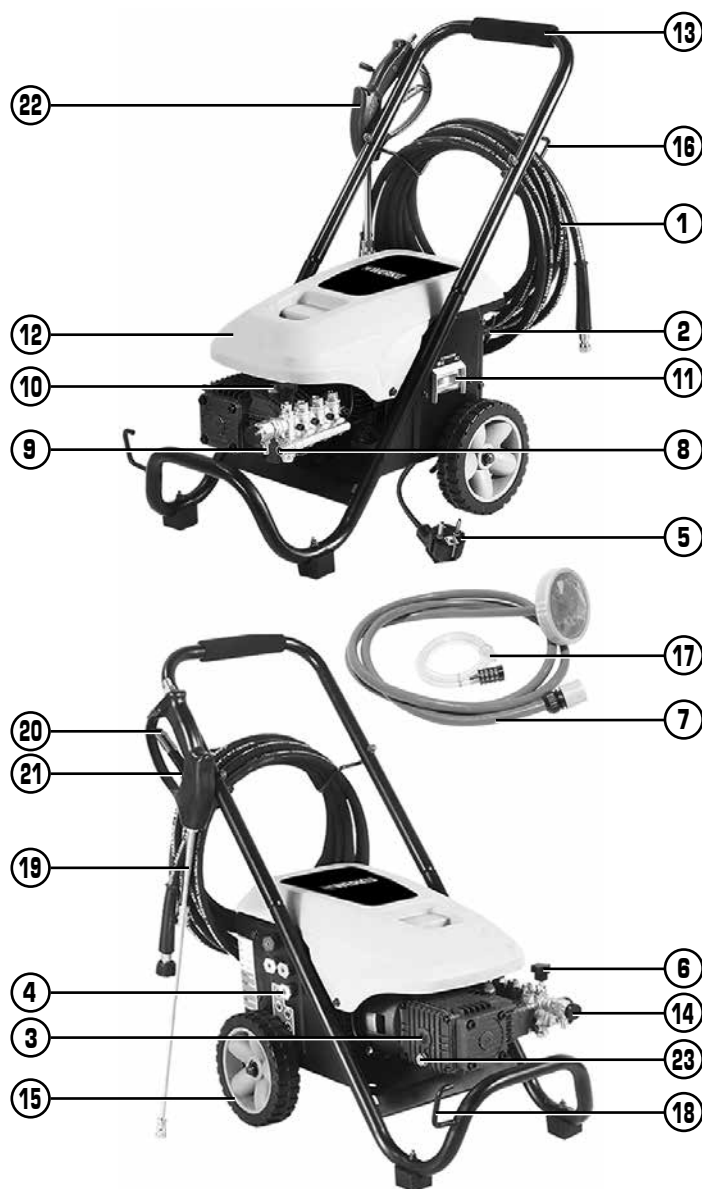
► Ne faites pas fonctionner le nettoyeur haute pression s'il n'est pas bien maintenu ► Faites-le fonctionner quand vous êtes sûr de le contrôler totalement ► Ne le dirigez pas vers quelqu'un pendant son fonctionnement ► Pendant l'opération, le nettoyeur haute pression peut produire des vibrations ► Les vis peuvent se dévisser petit à petit, ce qui peut provoquer une panne ou un accident ► Éloignez vos mains des parties du nettoyeur haute pression en mouvement.

## À LA FIN DE VOTRE TRAVAIL.

► Ne touchez pas les accessoires installés sur le nettoyeur haute pression après son utilisation ► Ils peuvent être très chauds et causer des brûlures ► Certains matériaux sur lesquels vous travaillez peuvent contenir des substances chimiques ou des composants toxiques ► Soyez attentif à ne pas inhaler ces substances et à ce que votre peau ne soit pas en contact avec ► Utilisez les EPI conçus pour prévenir et vous protéger de ce type d'accidents.

## DESCRIPTION DU PRODUIT.

► Cette nettoyeur haute pression est conçue pour effectuer des travaux de nettoyage ► Observez ce schéma pour vous familiariser avec la nettoyeur haute pression avant de l'utiliser.



1. Flexible haute pression.
2. Attache-câble.
3. Indicateur niveau huile.
4. Récepteur buse.
5. Alimentation électrique.
6. Régulateur pression.
7. Tuyau alimentation eau.
8. Entrée eau.
9. Entrée savon.
10. Entrée d'huile.
11. Interrupteur.
12. Capot.
13. Poignée transport.
14. Sortie flexible haute pression.
15. Roue.
16. Enrouleur de flexible.
17. Flexible aspiration détergent avec filtre.
18. Dispositif fixation lance.
19. Lance.
20. Blocage détente.
21. Détente.
22. Poignée-pistolet.
23. Bouchon vidange huile.

## NOTICE UTILISATION.

► Avant de démarrer la nettoyeur haute pression, il est recommandé de lire complètement et minutieusement toutes les instructions ci-dessous ► Vous devrez également tenir compte des normes de prévention des accidents, des règlements et des directives ainsi que des lois et restrictions en vigueur pour les centres de travail ► La nettoyeur haute pression doit être utilisée uniquement par des personnes adéquatement formées à son maniement et respectant exclusivement les applications ici prévues.

## SOURCE ALIMENTATION.

► Assurez-vous que la source d'alimentation est adaptée aux conditions spécifiées sur la plaque d'informations de la nettoyeur haute pression (1) ► Si vous utilisez un faible voltage, le moteur fonctionnera lentement ► Ce qui réduira le rendement et pourra provoquer une surchauffe du moteur.

## RALLONGE.

► Si la zone de travail est éloignée de la source d'alimentation, utilisez une rallonge d'un diamètre et d'une qualité suffisants.

## BOUCHON ENTRÉE HUILE.

► Attention: le bouchon rouge de la pompe est spécialement conçu pour le transport ► Avant

d'utiliser le nettoyeur haute pression, remplacez le bouchon rouge par le bouchon jaune ou le bouchon en laiton dans le lot de pièces de rechange (2).

## RÉGULATEUR PRESSION.

► Le réglage de la pression est prédéfini en usine pour obtenir un rendement optimal de la pression et du nettoyage ► Si vous souhaitez réduire la pression, vous pouvez le faire en adoptant les méthodes suivantes: ► 1- Éloignez-vous de la surface à nettoyer ► Plus l'utilisateur est éloigné, moins la pression sur la surface à nettoyer sera élevée ► Attention: n'essayez pas d'augmenter la pression de la pompe, un réglage de pression supérieur à celui prédéfini en usine peut endommager la pompe ► 2- Changez pour la buse blanche à 40° ► Cette buse génère un débit d'eau moins élevé et une pulvérisation plus large ► 3- Réglez le régulateur de pression de la pompe ► Tournez le régulateur de pression dans le sens inverse des aiguilles d'une montre pour baisser la pression ► Une fois que vous avez terminé d'utiliser le nettoyeur haute pression, repositionnez le régulateur de pression sur sa position initiale en le tournant dans le sens des aiguilles d'une montre ► Attention: n'essayez pas de tourner le régulateur de pression au-delà de la ligne d'arrêt indiquée, sinon la pompe risquerait de s'endommager.

## TYPES BUSES.

► Le nettoyeur haute pression est équipé de quatre buses de pulvérisation ► Chaque buse est d'une couleur différente et produit une pulvérisation spécifique pour un objectif de nettoyage particulier (3) ► Attention: le jet haute pression du nettoyeur haute pression peut endommager des surfaces comme le bois, le verre, la peinture automobile, les bandes et boiseries automobiles, ainsi que des objets délicats comme les fleurs et arbustes ► Avant de pulvériser, vérifiez que la pièce à nettoyer est assez solide pour résister aux dommages causés par la force de la pulvérisation.

## CHANGEMENT BUSES.

► Attention: n'essayez pas de changer les buses pendant que le nettoyeur haute pression est en marche ► Éteignez le moteur ou le pistolet avant de changer la buse ► Tirez la douille à dégagement rapide vers l'arrière et insérez la

buse ► Relâchez la douille à dégagement rapide et faites tourner la buse pour vous assurer qu'elle est bien en place dans la douille de fixation rapide (4) ► Avertissement: risque de blessures ► Assurez-vous que la buse est complètement insérée dans la douille à dégagement rapide avant d'actionner la gâchette du pistolet.

## NETTOYAGE BUSES.

► Si la buse est obstruée par de la saleté, une pression excessive peut s'exercer ► Si la buse est bouchée ou partiellement obstruée, la pompe à pression vibre ► Nettoyez la buse immédiatement à l'aide du kit de buses fourni et en respectant les instructions suivantes: ► 1- Arrêtez l'unité et coupez l'alimentation en eau ► 2- Actionnez la gâchette du pistolet pour relâcher la pression de l'eau ► 3- Débranchez la lance du pistolet ► 4- Retirez la buse de la lance ► Enlevez toute obstruction à l'aide de l'outil de nettoyage de buse fourni et rincez à l'eau claire (5) ► 5- Dirigez l'alimentation en eau dans l'extrémité de la lance de pulvérisation pour éliminer les particules pendant 30 secondes (6) ► 6- Remplacez la buse sur la lance en veillant à ce qu'elle soit bien fixée ► 7- Reconnectez la lance au pistolet et rouvrez l'alimentation en eau ► 8- Démarrez l'appareil et réglez la lance sur la haute pression pour faire un essai.

## PRODUITS CHIMIQUES ET DÉTERGENTS.

► Attention: appliquez les produits chimiques ou détergents en réglant sur la position de pression la plus basse ► Utilisez uniquement des produits chimiques ou des détergents conçus pour les nettoyeurs haute pression, ou bien des savons doux ► Le nettoyeur haute pression peut aspirer des détergents et autres produits chimiques présents dans un réservoir indépendant ► Versez le produit chimique ou le détergent dans le réservoir séparé ► Attention: ajoutez de l'eau aux produits chimiques ou aux détergents trop visqueux pour être aspirés ► Placez le tuyau dans le réservoir indépendant (7) ► Choisissez la buse noire destinée aux produits chimiques ► Commencez à pulvériser ► Après avoir utilisé des produits chimiques, mettez de l'eau propre dans le réservoir indépendant et retirez-la avec le système d'aspiration de produits chimiques pour bien rincer le système ► Si des produits chimiques restent dans la pompe, ils pourraient l'endommager ► Attention: les produits chimiques ou détergents ne seront pas siphonnés si la lance est réglée sur la haute pression.

## MODE EMPLOI.

► Important: avant de mettre en marche l'appareil, vérifiez que tous les écrous et boulons sont suffisamment serrés et vérifiez que l'alimentation en eau et en électricité sont adaptées aux besoins du nettoyeur haute pression ► Il est également important de contrôler le filtre à eau avant d'utiliser le nettoyeur haute pression ► Important: un filtre bien propre garantit de bonnes performances et une longue durée de vie du nettoyeur haute pression ► Raccordez l'alimentation en eau à l'orifice d'entrée à l'aide d'un tuyau renforcé ► Attention: le nettoyeur haute pression n'a pas de commutateur de débit, la source d'eau doit fournir 15 litres par minute ► Attention: la température de l'eau à l'entrée ne doit pas dépasser 50°C ► Connectez la lance au pistolet et serrez-la fermement (8) ► Insérez le raccord rapide du flexible haute pression dans la sortie d'eau et l'autre extrémité à la base du pistolet (9).

## ALIMENTATION ÉLECTRIQUE.

► Assurez-vous que la tension du secteur est identique à celle indiquée sur l'étiquette d'identification du nettoyeur haute pression ► Attention: assurez-vous que la fiche est conforme aux réglementations locales et qu'elle est munie d'une connexion à la terre ► Attention: la prise de courant doit être protégée par un disjoncteur résiduel de sensibilité inférieure à 30 mA ► Ne branchez pas d'autres appareils sur la même prise ► Attention: insérez la fiche après avoir vérifié que l'interrupteur du nettoyeur haute pression est en position d'arrêt.

## DÉMARRAGE.

► Raccordez l'alimentation en eau et ouvrez la gâchette du pistolet ► Mettez le nettoyeur haute pression en marche ► Avertissement: en cas de panne de courant pendant le fonctionnement, éteignez le nettoyeur haute pression pour des raisons de sécurité ► Laissez le pistolet en position ouverte pendant quelques secondes pour évacuer l'air du tuyau ► Réglez ensuite le nettoyeur haute pression en fonction de vos besoins en pression ► N'oubliez pas qu'il est préférable de ne pas dépasser la pression de travail normale ► Par conséquent, utilisez le moins possible la pression maximale ► Pendant son utilisation, la tête de pulvérisation ne doit pas être loin de la surface à nettoyer ► Attention: n'utilisez pas le nettoyeur

haute pression quand des personnes se trouvent à portée du jet ► Arrêtez le pistolet une fois le nettoyage terminé, puis éteignez le moteur en moins de 2 minutes: la soupape de décharge continue à bouger après l'extinction du pistolet ► L'eau circulera alors en cercle dans la pompe, ce qui la chauffera et endommagera la bague d'étanchéité ou d'autres accessoires s'il s'écoule beaucoup de temps ► Pendant l'opération, il est normal qu'il y ait une légère fuite d'eau provenant de la pompe: cela n'affecte pas l'utilisation du nettoyeur haute pression.

## VALVE SÉCURITÉ.

► La valve de sécurité fonctionne également comme une valve de surpression ► Lorsque la gâchette du pistolet est relâchée, la valve de sécurité s'ouvre et l'eau recircule par l'entrée de la pompe.

## ARRÊT.

► Une fois le lavage terminé, éteignez le nettoyeur haute pression et maintenez le pistolet en position ouverte pendant quelques secondes pour évacuer l'eau du tuyau.

## CHANGEMENT HUILE DE LA POMPE.

► Le niveau d'huile doit être contrôlé régulièrement ► Très important: l'huile doit être changée après les 50 premières heures de travail et ensuite toutes les 100 heures ► Dans tous les cas, l'huile doit être changée au moins une fois par an ► Utilisez de l'huile moteur SAE 15W-40 ou équivalente ► Videz complètement l'ancienne huile de la pompe par le bouchon de vidange (10) ► Remettez le bouchon de vidange et introduisez du kérosène propre dans la cuve (11) ► Le niveau de kérosène doit être légèrement supérieur à la ligne médiane de l'indicateur d'huile (12) ► Ensuite, faites fonctionner le nettoyeur haute pression sans charge pendant environ 10-15 secondes, arrêtez et évacuez tout le kérosène ► Ensuite, introduisez la nouvelle huile ► Le niveau d'huile doit être légèrement au-dessus du repère rouge de l'indicateur d'huile (13).

## STOCKAGE ET/OU GEL.

► Si le nettoyeur haute pression doit être stocké dans un endroit présentant un risque de gel, ou s'il ne doit pas être utilisé pendant plus de trois mois, il est recommandé de mettre un peu d'antigel dans la pompe ► Important: de longues périodes d'inactivité peuvent entraîner

la formation de dépôts calcaires ► Ces dépôts calcaires doivent être nettoyés.

## ENTRETIEN.

► Si le nettoyeur haute pression ne fonctionne pas pendant longtemps, videz toute l'eau ► Débranchez le tuyau d'arrivée d'eau et faites fonctionner le nettoyeur haute pression pendant une demi-minute, puis démarrez le pistolet pour évacuer l'eau qui reste ► La nettoyeur haute pression a été conçue pour fonctionner longtemps avec un minimum d'entretien ► Le fonctionnement optimal de la nettoyeur haute pression dépend des soins qui lui sont apportés et d'un nettoyage fréquent ► Pour éviter des accidents, débranchez toujours la nettoyeur haute pression de sa source d'alimentation avant de la nettoyer ou de l'entretenir ► La nettoyeur haute pression doit toujours être nettoyée de manière efficace en utilisant de l'air comprimé à la fin de chaque utilisation ► Utilisez toujours des lunettes de protection quand vous travaillez avec de l'air comprimé ► Si vous ne pouvez pas utiliser d'air comprimé, retirez la poussière de la nettoyeur haute pression à l'aide d'une brosse ► Les fentes de ventilation du moteur et les interrupteurs doivent être toujours propres et dépourvus de tout résidu ► N'essayez pas de les nettoyer en introduisant des objets pointus par les ouvertures ► Certains produits de nettoyage et certains solvants, comme l'essence, le tétrachlorométhane, les solvants chlorés, l'ammoniaque et les produits de nettoyage domestiques contenant de l'ammoniaque, endommagent les composants en plastique ► N'utilisez aucun de ces produits pour nettoyer la nettoyeur haute pression ► Si la machine produit beaucoup d'étincelles, faites réviser et/ou remplacer les balais par le service officiel de réparation Werku®.

## PROTECTION DE L'ENVIRONNEMENT.

► Les matériaux et composants utilisés pour fabriquer ce produit peuvent être réutilisés et recyclés ► Werku® a adhéré à un Système Intégré de Gestion qui se charge de l'élimination correcte des résidus de ce produit ► Ne jetez pas ce produit dans les ordures domestiques ► Werku® propose à ses clients un service gratuit de collecte de ces résidus dans tous ses points de vente, dans les points de collecte listés par le Système Intégré de Gestion ou dans les points de collecte de votre commune.

## **GARANTIE ET SERVICE TECHNIQUE.**

► Outre la garantie légale, Werku® offre une garantie commerciale supplémentaire ► Cette garantie commerciale couvre la réparation des défauts résultant de défaillances dans le matériel ou la fabrication ► Pour cela, les défauts doivent être constatés pendant la période de validité ► Le consommateur a droit à la réparation gratuite des défauts que Werku® reconnaît comme inclus dans la garantie commerciale (frais envoi, main d'œuvre et matériaux inclus), au choix de Werku®, au moyen de la simple réparation ou par remplacement (le cas échéant, par un modèle postérieur) ► Cette garantie commerciale n'affecte pas les droits du consommateur établis légalement par la Directive 1999/44/CE ► La période de validité de cette garantie commerciale est de 24 mois ► Si ce produit est destiné à une utilisation professionnelle ou industrielle, la période de validité est de 12 mois ► La période de validité débute à la date d'achat par le premier consommateur ► Cette date figure sur la facture ou le ticket de caisse ► Le droit de réclamer l'application de cette garantie commerciale expire six mois après la fin de la période de validité ► Les réclamations en vertu de cette garantie commerciale doivent être présentées au distributeur ou au Service d'Assistance Technique ► Pour cela, il est indispensable de présenter cette garantie dûment complétée et tamponnée par le distributeur, accompagnée de la facture ou du ticket d'achat ► Pour toute information relative à cette garantie commerciale, l'acheteur et/ou le distributeur peut contacter le Service d'Assistance Technique au +34 981 648 119, ou par courrier électronique à [info@werku.com](mailto:info@werku.com) ► Sont exclus de cette garantie commerciale les défauts causés par des pièces usées résultant d'une utilisation naturelle, les défauts causés par le non respect ou la mauvaise application de la notice d'utilisation ou par une utilisation non conforme à celle à laquelle est destiné ce produit, par des facteurs environnementaux anormaux ou une surcharge, un entretien ou un nettoyage inadéquats, les défauts causés par l'utilisation d'accessoires ou de pièces de rechange qui ne sont pas des pièces d'origine Werku® et si le produit a été totalement ou partiellement démonté, modifié ou réparé par du personnel autre que celui du Service d'Assistance Technique, ou s'il s'agit d'irrégularités

minimes et insignifiantes pour une utilisation et un fonctionnement adéquats ► Les réparations et remplacements ne prolongent ni ne renouvellent le délai de validité de cette garantie commerciale ► Les pièces remplacées sont la propriété de Werku® ► Si l'acheteur remet le produit au Service d'Assistance Technique en ne remplissant pas les conditions de cette garantie commerciale, les frais et risques du transport seront à sa charge ► Cette garantie commerciale est valable sur le territoire de l'Union Européenne ► L'entreprise responsable de l'application de cette garantie commerciale Werku® est Werku Tools SA.

## **ASSISTANCE TECHNIQUE.**

► Werku® met à votre disposition son service technique pour répondre à toutes les questions sur ses produits ► Si vous souhaitez contacter notre équipe, veuillez envoyer un courrier électronique à l'adresse suivante: [info@werku.com](mailto:info@werku.com).

## CE CONFORMITEITSVERKLARING.

► Werku® verklaart dat de **WK400720** hogedrukreiniger in overeenstemming is met de Europese richtlijnen en normen 2006/42/CE, EN60335-1:2012/A11, EN60335-2-79:2012 en EN62233:2008.


La Coruña, 01/07/2019  
R Yáñez  
Werku Tools SA


## TECHNISCHE EIGENSCHAPPEN.

► Spanning-frequentie 230V~50Hz ► Vermogen 3700W ► Klasse I ► Beveiliging index IPX5  
► Toerental 2900 min<sup>-1</sup> ► Werkdruk 180 bar  
► Maximale druk 200 bar ► Werkvloeï 7 l/min<sup>-1</sup>  
► Maximale vloeï 9.5 l/min<sup>-1</sup> ► Maximale temperatuur 50°C ► Netto gewicht 55 kg ► Geluidsdruk LpA ≤70 dB(A) ► Vibratie Aw ≤2.5 m/s<sup>2</sup>.

## PICTOGRAMMEN.

-  Aandacht
-  Risico op elektrische schokken
-  Sluit niet rechtstreeks op het waterleidingnet aan
-  Risico van hogedrukstraal
-  Lees de handleiding
-  Gebruik oogbescherming
-  Gebruik handbescherming
-  Gebruik lichaamsbescherming
-  Europese conformiteit

 Dubbele isolatie

 Afgedankte elektrische en elektronische apparatuur

## VEILIGHEIDSINSTRUCTIES.

► Lees alle beveiligingswaarschuwingen en alle instructies ► Het niet opvolgen van alle hieronder vermelde waarschuwingen en instructies kan leiden tot elektrische schokken, brand en/of ernstig letsel ► Bewaar alle waarschuwingen en voorschriften voor toekomstig gebruik ► Ongevallen kunnen meestal worden voorkomen door erkenning van een potentiële gevaarlijke situatie voordat deze plaatsvindt en door het observeren van de juiste veiligheidsprocedures ► Deze hogedrukreiniger niet gebruiken voor andere toepassingen dan die in deze handleiding zijn gespecificeerd.

## ELEKTRISCHE COMPONENTEN.

► Gevaar; gevaar van stroomschok ► Neem de netstekker en de contactdoos nooit met vochtige handen vast ► Controleer de stroomaansluitleidingen met netstekker voor elk gebruik op schade ► Laat beschadigde stroomaansluitleidingen onmiddellijk door een geautoriseerde klantenservice / electricien vervangen ► Neem een apparaat met beschadigde stroomaansluitleiding niet in bedrijf ► Alle stroomvoerende voorwerpen binnen het werkgebied moeten spuitwaterdicht zijn ► Netstekker en koppeling van een verlengkabel moeten waterdicht zijn en mogen niet in water liggen ► De koppeling mag verder niet op de grond liggen ► Er wordt aanbevolen om kabeltrommels te gebruiken die garanderen dat de contactdozen zich minstens 60 mm boven de grond bevinden ► Let erop dat stroomleidingen en verlengkabels niet aangetast of beschadigd worden door overrijden, knellen, rekken o.d. Bescherm de stroomleidingen tegen hitte, olie en scherpe randen ► Bij reiniging en onderhoud altijd het apparaat uitschakelen en de stekker uit het stopcontact trekken ► Reparatiewerkzaamheden en werkzaamheden aan elektrische onderdelen mogen enkel door de geautoriseerde klantenservice uitgevoerd worden ► Waarchuwing; het apparaat mag enkel aan een elektrische aansluiting aangesloten zijn die door een elektromonteur conform IEC 60364 werd uitgevoerd ► Sluit het apparaat enkel aan wisselstroom aan ► De spanning moet overeenstemmen met het typeplaatje van het apparaat ► Beschermingsklasse I ► Apparaten



mogen uitsluitend aangesloten worden aan reglementair geaarde stroombronnen ► Om veiligheidsredenen bevelen wij aan om het apparaat via een aardlekschakelaar (max. 30 mA) te gebruiken ► Niet-geschikte elektrische verlengkabels kunnen gevaarlijk zijn ► Gebruik in open lucht enkel daartoe vrijgegeven en overeenkomstig gekenmerkte elektrische verlengkabels met een voldoende grote diameter: 1 - 10 m: 1,5 mm<sup>2</sup> ; 10 - 30 m: 2,5 mm<sup>2</sup> ► Rol de verlengkabel altijd volledig van de kabeltrommel af.

## VEILIGE ONGANG.

► Gevaar; de gebruiker moet het apparaat op reglementaire wijze gebruiken ► Hij moet rekening houden met de plaatselijke omstandigheden en tijdens de werkzaamheden met het apparaat letten op personen in de omgeving ► Controleer belangrijke componenten zoals hogedruk slang, handspuitpistool en veiligheidsinrichtingen voor elk gebruik op beschadigingen ► Vervang beschadigde componenten onmiddellijk ► Neem een apparaat met beschadigde componenten niet in bedrijf ► Hogedrukstralen kunnen gevaarlijk zijn bij niet-reglementair gebruik ► De straal mag niet gericht worden op personen, dieren, onder stroom staande voorwerpen of het apparaat zelf ► Richt de hogedrukstraal niet op u zelf of anderen om schoeisel of kledij te reinigen ► Voertuigbanden / bandventielen kunnen door de hogedrukstraal beschadigd worden en springen ► Een eerste teken daarvan is een verkleuring van de band ► Beschadigde voertuigbanden / bandventielen zijn levensgevaarlijk ► Respecteer bij de reiniging een minimumstraalafstand van 30 cm! ► Waarchuwing; gebruik het apparaat niet wanneer zich andere personen binnen de reikwijdte bevinden, behalve wanneer die personen beschermende kledij dragen ► Kinderen of nietgeïnstreerd personeel mogen het apparaat niet gebruiken ► Dit apparaat mag niet gebruikt worden door personen met beperkte fysieke, zintuiglijke of mentale capaciteiten of met te weinig ervaring en/of kennis, tenzij ze onder toezicht staan van een bevoegde persoon die instaat voor hun veiligheid of van die persoon instructies hebben gekregen over het gebruik van het apparaat en de daaruit resulterende gevaren begrijpen ► Kinderen mogen niet met het apparaat spelen ► Kinderen moeten gecontroleerd worden om te garanderen dat ze niet met het apparaat spelen ► Voorzichtig; zorg er vóór alle handelingen met of aan het apparaat voor dat het apparaat stabiel staat om ongevallen of beschadigingen door omvallen van het apparaat te vermijden ► Door de naar buiten

tredende waterstraal aan de hogedruksproeier werkt een terugstootkracht op het handspuitpistool ► Zorg ervoor dat u stevig staat en houd het handspuitpistool en de straalpijp goed vast ► Laat het apparaat nooit zonder toezicht staan terwijl het in bedrijf is ► Let op; bij langere werkonderbrekingen moet het apparaat met de apparaatschakelaar uitgeschakeld worden ► Gebruik het apparaat niet bij temperaturen onder 0 °C.

## ANDERE GEVAREN.

► Gevaar; het is verboden om het apparaat in explosiegevaarlijke bereiken te gebruiken ► Spuit geen voorwerpen af die ongezonde stoffen bevatten (bv. asbest) ► Zuig nooit oplosmiddelhoudende vloeistoffen of onverdunde zuren en oplosmiddelen op! ► Daartoe behoren bv. benzine, verfverdunder of stookolie ► De spuitnevel is zeer licht ontvlambaar, explosief en giftig ► Gebruik geen aceton, onverdunde zuren en oplosmiddelen aangezien deze de in het apparaat gebruikte materialen aantasten ► Houd verpakkingsfolie uit de buurt van kinderen, er bestaat verstikkingsgevaar! ► Waarchuwing; conform de geldige voorschriften mag het apparaat nooit zonder systemscheider aan het drinkwaternet gebruikt worden ► Vergewis u ervan dat de aansluiting van uw huiswaterinstallatie waarop de hogedrukreiniger werkt, uitgerust is met een systemscheider conform EN 12729 type BA ► Water dat door een systemscheider is gestroomd, wordt als nietdrinkbaar beschouwd ► Hogedrukslangen, armaturen en koppelingen zijn belangrijk voor de veiligheid van het apparaat ► Gebruik enkel door de fabrikant aanbevolen hogedrukslangen, armaturen en koppelingen ► Bij het scheiden van toevoer of hogedrukslangen kan na de werking heet water uit de aansluitingen komen ► Voorzichtig; neem bij het kiezen van de opslagplaats en het transporteren het gewicht van het apparaat (zie Technische gegevens) in acht om ongevallen of verwondingen te vermijden ► Bij apparaten met een hand-arm vibratiewaarde > 2,5 m/s<sup>2</sup> (zie Technische gegevens) ► Voorzichtig; ononderbroken gebruik van het apparaat gedurende meerdere uren kan in zeldzame gevallen gevoelloosheid van de handen veroorzaken ► Draag handschoenen ► Houd de handen warm ► Voeg regelmatig een pauze in.

## WERKEN MET REINIGINGSMIDDELEN.

► Waarchuwing; dit apparaat werd ontwikkeld voor gebruik met reinigingsmiddelen, die door de fabrikant worden geleverd of aanbevolen

► Het gebruik van andere reinigingsmiddelen of chemicaliën kan de veiligheid van het apparaat nadelig beïnvloeden ► Het verkeerd gebruik van reinigingsmiddelen kan ernstige verwondingen of vergiftiging veroorzaken ► Bewaar reinigingsmiddelen buiten bereik van kinderen.

## **VEILIGHEIDSINRICHTINGEN.**

► Voorzichtig; veiligheidsinrichtingen dienen ter bescherming van de gebruiker en mogen niet veranderd of omzeild worden.

## **PERSOONLIJKE VEILIGHEIDSUITRUSTING.**

► Voorzichtig; draag de juiste beschermende kleding en een veiligheidsbril ter bescherming tegen terugspattend water ► Tijdens het gebruik van hogedrukreinigers kunnen aerosolen ontstaan ► Het inademen van aerosolen kan schadelijk zijn voor de gezondheid ► Afhankelijk van de toepassing kunnen voor de hogedrukreiniging volledig afgeschermd sproeiers (bv. oppervaktereiner) gebruikt worden die de uitstoot van waterige aerosolen duidelijk verminderen ► Het gebruik van zo'n afscherming is niet bij alle toepassingen mogelijk ► Wanneer het gebruik van een volledig afgeschermd sproeier niet mogelijk is, moet in functie van de te reinigen omgeving een stofmasker van de klasse FFP2 of vergelijkbaar gebruikt worden.

## **VEILIGHEID OP DE WERKOMGEVING.**

► Houw de werkomgeving schoon en goed verlicht ► Een rommelige of onverlichte werkomgeving kan ongevallen veroorzaken ► Gebruik geen elektrisch gereedschap in explosieve omgevingen, zoals in de aanwezigheid van brandbare vloeistoffen, gassen of stoffen ► Houw kinderen en nieuwsgierigen uit de buurt tijdens het gebruiken van een elektrisch gereedschap ► Afleidingen kunnen controleverlies veroorzaken.

## **PERSOONLIJKE VEILIGHEID.**

► Blijf alert, let op wat u doet en gebruik uw gezond verstand bij het bedienen van een elektrisch gereedschap ► Gebruik geen elektrisch gereedschap wanneer u moe of onder invloed bent van drugs, alcohol of medicijnen ► Een moment van onoplettendheid bij het gebruik van elektrisch gereedschap kan ernstige persoonlijke schade veroorzaken.

## **NIET OP DE TENEN WERKEN.**

► Houw de voeten goed op de grond en blijf in ieder moment in evenwicht ► Dit vergemogelijkt een betere controle van het elektrisch gereedschap in onverwachte situaties.

## **DRAAG GESCHIKTE KLEDING.**

► Draag geen losse kleding of sieraden ► Houw uw haar, kleding en handschoenen uit de buurt van bewegende delen ► Losse kleding, sieraden en lange haren kunnen door bewegende delen worden opgenomen ► Als er apparaten zijn voor de verbinding van extractiemiddelen en stofverzamelaars, zorg erdan voor dat ze zijn aangesloten en juist worden gebruikt ► Het gebruik van deze apparaten kan gevaren die met stof te maken hebben verminderen.

## **HET SNOER NIET MISBRUIKEN.**

► Gebruik het snoer nooit om het elektrische gereedschap te dragen, op te tillen of uit de stekker te trekken ► Houd het snoer uit de buurt van hitte, olie, scherpe randen of bewegende onderdelen ► Een beschadigd of verward snoer verhoogt het risico op een elektrische schok ► Bij het gebruik buitenshuis van het elektrisch gereedschap, gebruik maken van een verlengsnoer dat geschikt is voor gebruik buitenshuis ► Het gebruik van een verlengsnoer dat geschikt is voor gebruik buitenshuis vermindert het risico op een elektrische schok ► Als het gebruik van het elektrisch gereedschap in een vochtige omgeving onvermijdelijk is, gebruik dan een stroom beveiligd met een aardlekschakelaar (RCD) ► Het gebruik van een aardlekschakelaar vermindert het risico van een elektrische schok.

## **GEBRUIK EN ONDERHOUD VAN ELEKTRISCH GEREEDSCHAP.**

► Forceer het elektrisch gereedschap niet ► Gebruik het juiste elektrisch gereedschap voor de toepassing ► Met het juiste elektrisch gereedschap werkt u beter en veiliger binnen het toerental waarvoor deze werd ontworpen ► Gebruik het elektrisch gereedschap niet als de schakelaar niet kan worden geplaatst op de "on" en "off" posities ► Elk elektrisch gereedschap dat niet kan worden in- of uitgeschakeld is gevaarlijk en moet worden gerepareerd ► Trek de stekker uit het stopcontact en/of de accu voordat u afstellingen verricht, accessoires verwisselt of het elektrisch gereedschap weglegt ► Dergelijke preventieve veiligheidsmaatregelen verminderen het risico op het onopzettelijk aanzetten van het elektrische gereedschap.

## **HET OPSLAAN VAN PERSLUCHTGEREEDSCHAP.**

► Elektrisch gereedschap dat niet in gebruik is moet worden opgeladen buiten het bereik van kinderen en mag niet worden gebruikt door personen zonder ervaring met elektrisch

# NED VERTALING VAN ORIGINEEL

gereedschap of door mensen die deze instructies niet kennen ►Elektrisch gereedschap is gevaarlijk in de handen van onervaren gebruikers.

## ONDERHOUD.

►Controleer of bewegende delen niet los zitten of vastgelopen zijn, of er geen gebroken onderdelen of andere omstandigheden zijn die de werking van elektrisch gereedschappen kunnen beïnvloeden ►Elektrisch gereedschap moet worden gerepareerd voor gebruik en wanneer deze beschadigd zijn ►Veel ongelukken worden veroorzaakt door slecht onderhouden elektrisch gereedschap ►Gebruik elektrisch gereedschap en accessoires volgens deze instructies en op de wijze die voor het specifieke type elektrisch gereedschap geldt, rekening houdend met de werkomstandigheden en het te ontwikkelen werk ►Het gebruik van elektrisch gereedschap voor andere dan de voorziene toepassingen kan tot gevaarlijke situaties leiden ►Laat uw elektrisch gereedschap controleren en repareren door een officiële Werku® reparatieservice en gebruik alleen originele vervangingsonderdelen ►Dit zal de veiligheid van het elektrisch gereedschap in stand houden.

## VOORDAT U BEGINT.

►Voordat u de hogedrukreiniger gebruikt, zorg ervoor dat u stevig staat ►Controleer of er niemand onder de hogedrukreiniger influentiezone staat indien u in de hoogte werkt ►Houw uw handen uit de buurt van alle bewegende delen van de hogedrukreiniger.

## TIJDENS HET WERKEN.

►De hogedrukreiniger niet laten werken zonder deze stevig vast te houden ►Laat deze allen werken als u zeker bent dat u volledige controle over de hogedrukreiniger heeft ►Richt de hogedrukreiniger nooit op iemand terwijl deze in gebruik is ►Bij gebruik van de hogedrukreiniger kunnen trillingen optreden ►Schroeven kunnen geleidelijk loskomen en mogelijk storingen of ongevallen veroorzaken ►Houw uw handen uit de buurt van alle bewegende delen van de hogedrukreiniger.

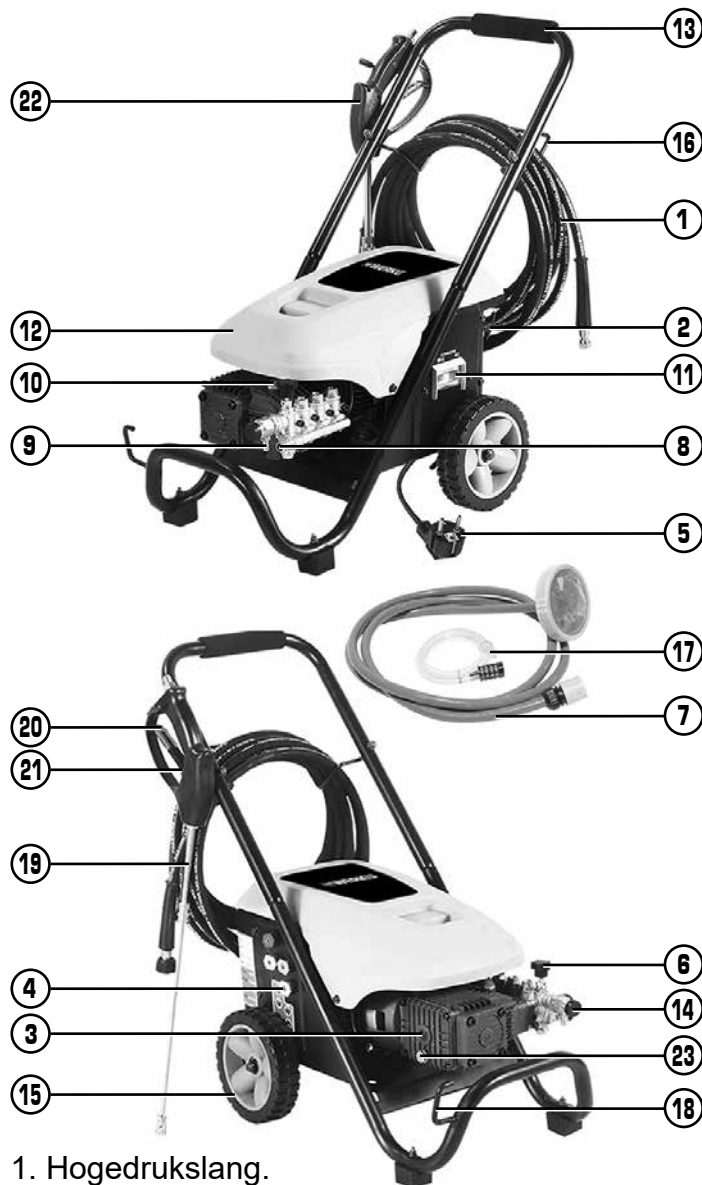
## HET WERK EINDE.

►Na gebruik, niet de geïnstalleerde accessoires in de hogedrukreiniger aanraken ►Deze kunnen heet zijn en brandwonden veroorzaken ►Sommige materialen waarmee gewerkt is kunnen chemicaliën of giftige componenten

bevatten ►Vermijd het inademen van deze stoffen of met deze in contact komen met de huid ►Gebruik PBM's ter voorkoming en bestrijding van incidenten van deze aard.

## BESCHRIJVING VAN HET PRODUCT.

►De hogedrukreiniger is ontworpen om schoonmaakwerkzaamheden uit te voeren ►Raadpleeg voor gebruik dit plan om vertrouwd te raken met de hogedrukreiniger.



1. Hogedrukslang.
2. Kabelhouder.
3. Olieniveau-indicator.
4. Straalpijpopbergvak.
5. Elektrische toevoerleiding.
6. Druk regelaar.
7. Watertoevoerslang.
8. Waterinlaat.
9. Zeepinlaat.
10. Olietinlaat.
11. Schakelaar.

12. Kap.
13. Handgreep.
14. Hogedrukslanguitlaat.
15. Wiel.
16. Slanghouder.
17. Reinigingsmiddel-zuigslang met filter.
18. Spuitstuk houder.
19. Staalbuis.
20. Trekker vergrendeling.
21. Trekker.
22. Handspuitpistool.
23. Olieaftapplug.

## **GEBRUIKSAANWIJZING.**

► Voor het starten van de hogedrukreiniger, raden wij u aan zorgvuldig alle aangegeven instructies te lezen ► Respecteer alle voorschriften met betrekking tot de preventie van ongevallen, gezondheids- en veiligheidsrichtlijnen, wetten en toepasselijke beperkingen voor werkplekken ► De hogedrukreiniger mag alleen worden gebruikt door personen die geïnstrueerd zijn in het gebruik ervan en uitsluitend voor de doeleinden waarvoor deze is ontworpen.

## **ENERGIE VOEDING.**

► Zorg ervoor dat de energie voeding is aangepast aan de op het informatiebord van de hogedrukreiniger eisen (1) ► Bij een lage spanning zal de hogedrukreiniger langzaam opereren ► Hierdoor zullen de prestaties verminderen en kan de motor oververhit raken.

## **OLIE INLAAT PLUG.**

► Voorzichtig; de rode plug op de pomp is speciaal ontworpen voor transport, voordat u de hogedrukreiniger gebruikt, vervangt u de rode plug door de gele plug of de koperen plug van het pakket met reserveonderdelen (2).

## **DRUK REGELAAR.**

► De drukinstelling is in de fabriek vooraf ingesteld om een optimale druk en reiniging te bereiken ► Indien nodig om de druk te verlagen, kunnen de volgende methoden worden gebruikt: ► 1- Ga weg van het te reinigen oppervlak ► Hoe verder weg de gebruiker is, des te minder druk er op het te reinigen oppervlak is ► Let op; probeer de pompdruk niet te verhogen, een hogere drukinstelling dan de fabrieksdrukinstelling kan de pomp beschadigen ► 2- Schakel over naar het 40° witte mondstuk ► Dit mondstuk levert

een minder krachtige waterstroom en een breder spuitpatroon ► 3- Aanpassen de drukregelaar op de pomp ► Drukknop van de drukregelaar tegen de klok in draaien om de druk te verlagen ► Als u klaar bent met het gebruiken van uw hogedrukreiniger, zet de drukregelaar terug in zijn oorspronkelijke positie door deze rechtsom te draaien ► Let op; probeer de drukregelknop niet voorbij de ingebouwde stoplijn te draaien, omdat anders schade aan de pomp kan ontstaan.

## **SPROEI TYPE.**

► De hogedrukreiniger is uitgerust met vier sproeikoppen ► Elke sproeier heeft een kleur en levert een specifiek sproeipatroon voor een specifiek reinigingsdoel (3) ► Let op; de hogedrukspuit van de hogedrukreiniger kan schade toebrengen aan oppervlakken zoals hout, glas, autolak, auto-verven en trim en gevoelige objecten zoals bloemen en struiken ► Alvorens te spuiten, controleer het te reinigen doel en verzeker uzelf ervan dat deze sterk genoeg is om schade door de kracht van de spray te weerstaan.

## **MONDSTUKKEN VERVANGEN.**

► Voorzichtig; probeer de mondstukken niet te verwisselen terwijl de hogedrukreiniger loopt ► Zet de motor of het pistool af voordat u het mondstuk verwisselt ► Trek de quick-fix naar achteren en plaats het mondstuk ► Laat de quick-fix en het draaimondstuk los om te zorgen dat het snel vast zit (4) ► Waarschuwing; gevaar voor letsel ► Zorg dat het mondstuk volledig in de snelkoppeling zit voordat u de pistooltrekker inschakelt.

## **MONDSTUKKEN REINIGEN.**

► Als het mondstuk verstopt is met vuil, kan er overmatige druk ontstaan ► Als het mondstuk gedeeltelijk verstopt raakt of wordt belemmerd, pulseert de pompdruk ► Reinig het mondstuk onmiddellijk met behulp van de meegeleverde mondstuk set en volg de volgende instructies op ► 1- Schakel de hogedrukreiniger uit en draai de watertoevoer dicht ► 2- Trek aan de trekker van het pistool om de waterdruk te ontlasten ► 3- Ontkoppel de lans van het pistool ► 4- Verwijder het mondstuk van de lans ► Verwijder eventuele obstructies met het reinigingsgereedschap voorzien en spoel met schoon water (5) ► 5- Geef

rechtstreeks watertoevoer in de zijde van de sproeibuis om deeltjes gedurende 30 seconden terug te spoelen (6) ▶6- Monteer de spuitmond opnieuw op de lans, zorg dat de fixatie veilig is ▶7- Sluit de lans opnieuw op het pistool aan en schakel de watertoevoer in ▶8- Start de hogedrukreiniger en plaats de lans in de hogedrukstand om te testen.

## CHEMICALIËN EN DETERGENTEN.

▶Waarschuwing; breng chemicaliën of reinigingsmiddelen aan in lagedruktoestand  
▶Gebruik alleen chemicaliën of reinigingsmiddelen die zijn ontworpen voor hogedrukreinigers, of milde zeep ▶De hogedrukreiniger kan wasmiddelen en andere chemicaliën uit een afzonderlijke tank zuigen ▶Plaats de chemische stof of het reinigingsmiddel in de afzonderlijke tank  
▶Let op; voeg water toe aan chemicaliën of reinigingsmiddelen die te viskeus zijn om te worden opgezogen ▶Plaats de slang in de onafhankelijke tank (7) ▶Selecteer de zwarte spuitmond voor chemicaliën ▶Start met spuiten  
▶Schuif met behulp van chemicaliën schoon water in de onafhankelijke tank en zuig het door een chemisch injectiesysteem het systeem grondig spoelen ▶Als er chemicaliën in de pomp achterblijven, kan de pomp beschadigd raken ▶Waarschuwing; chemicaliën of reinigingsmiddelen zullen niet hevelen als de lans in de hogedrukstand staat.

## HANDLEIDING.

▶Belangrijk; controleer voor gebruik of elke moer en bout voldoende vast zitten en controleer of het voedingsvermogen en water kunnen voldoen aan de vraag van hogedrukreiniger ▶Het is ook belangrijk om het waterfilter te controleren voordat u de hogedrukreiniger gebruikt  
▶Belangrijk; een goed gereinigd filter betekent goede prestaties en een lange levensduur van de hogedrukreiniger ▶Sluit de watertoevoer naar de inlaatpoort aan met een versterkte slang ▶Let op; de hogedrukreiniger heeft geen stromingsschakelaar, waterbron moet 15 liter per minuut leveren ▶Let op; de temperatuur voor het inlaatwater mag niet hoger zijn dan 50°C ▶Sluit de buis aan het pistool en zet deze stevig vast (8)  
▶Plaats de snelkoppeling van de hogedrukslang

in de wateruitlaat en een andere kant moet worden vastgedraaid met de pistooltrekker (9).

## ELEKTRISCHE AANVOER.

▶Controleer of de netspanning overeenkomt met die op het identificatielabel op de hogedrukreiniger ▶Waarschuwing; zorg ervoor dat de stekker voldoet aan uw plaatselijke voorschriften en dat deze is voorzien van een aardverbinding ▶Waarschuwing; het stopcontact moet worden beschermd door een aardlekschakelaar met een gevoeligheid van minder dan 30 mA ▶Sluit geen andere apparaten op hetzelfde stopcontact aan ▶Waarschuwing; steek de stekker in het stopcontact nadat u hebt gecontroleerd of de hogedrukreiniger is uitgeschakeld.

## START.

▶Sluit de watertoevoer aan en open vervolgens de trekker van het pistool ▶Zet de schakelaar van de hogedrukreiniger aan ▶Waarschuwing; bij stroomuitval tijdens het gebruik moet de hogedrukreiniger om veiligheidsredenen worden uitgeschakeld ▶Houd het pistool enkele seconden in de open stand om de lucht af te tappen ▶Op dit punt moet u de hogedrukreiniger aanpassen aan uw drukvereisten ▶Memoreer dat het beter is om de normale werkdruk niet te overschrijden, gebruik daarom de maximale druk zo min mogelijk ▶Tijdens het wassen, mag de sproeikop niet ver van het oppervlak verwijderd zijn ▶Waarschuwing; gebruik de hogedrukreiniger niet wanneer personen binnen het bereik van de sproei zijn ▶Stop het pistool na het beëindigen van het wassen en zet vervolgens de motor uit (in niet meer dan 2 minuten), omdat de losklep nog steeds in beweging is na het stoppen van het pistool, zal het water in een cirkel in de pomp stromen, waardoor het water heet wordt en de afdichtring of de andere accessoires beschadigd raken als er lange tijd verstreken is ▶Tijdens het gebruik is het normaal als er een beetje water uit de pomp lekt, wat het gebruik van de hogedrukreiniger niet beïnvloedt.

## VEILIGHEIDSWAARDE.

▶Het veiligheidsventiel fungeert ook als drukbegrenzingsklep ▶Wanneer de trekker van het pistool wordt losgelaten, opent het

veiligheidsventiel en recirculeert het water door de pompinlaat.

## **STOP.**

► Wanneer u klaar bent met het wassen, schakel de hogedrukreiniger uit en houdt het pistool enkele seconden in de open stand om het water uit de slang te laten lopen.

## **POMP OLIE VERVANGEN.**

► Het oliepeil moet regelmatig worden gecontroleerd ► Zeer belangrijk; de olie moet na de eerste 50 werkuren worden verversd en achtereenvolgens na elke 100 uur ► In ieder geval moet de olie ten minste eenmaal per jaar worden verversd ► Olie van het type SAE 15W-40 of een gelijkwaardige motorolie wordt vereist ► Gebruik ten minste eenmaal per jaar de oude pompolie volledig door de olie-uitlaatplug (10) ► Installeer de olie-uitlaatplug opnieuw en vul de schone kerosine in het carter (11) ► Het kerosinepeil moet iets boven de hartlijn van de oliespiegel liggen (12) ► Dan moet de hogedrukreiniger ongeveer 10-15 seconden worden gedraaid zonder dat deze wordt belast, stop dan en laat alle kerosine los ► Vul dan de nieuwe olie ► Het oliepeil moet iets boven de rode markering van de oliespiegel liggen.

## **OPSLAG EN/OF INVRIEZEN.**

► Als de hogedrukreiniger moet worden opgeslagen op een plaats waar het risico van bevriezing bestaat of langer dan drie maanden niet wordt gebruikt, is het raadzaam om een beetje antivries in de pomp te plaatsen ► Belangrijk; lange perioden van stilstand kunnen leiden tot de vorming van kalkaanslag, die moet worden gereinigd.

## **ONDERHOUD.**

► Als de hogedrukreiniger lange tijd niet draait, moet u het water volledig aftappen ► Maak de watertoevoerslang los en laat de hogedrukreiniger een halve minuut draaien en start het pistool om het extra water af te tappen ► De hogedrukreiniger is ontworpen voor een lange levensduur met een minimum aan onderhoud ► Optimaal gebruik hangt af van de juiste verzorging en regelmatige

reiniging van de hogedrukreiniger ► Om ongelukken te voorkomen, altijd de stekker van de hogedrukreiniger uit het stopcontact halen vóór het schoonmaken of onderhoud ► De hogedrukreiniger kan na elk gebruik effectief worden gereinigd met behulp van perslucht ► Als er geen perslucht beschikbaar is, gebruik dan een borstel om stof van de hogedrukreiniger te verwijderen ► Motor ventilatieopeningen schakelaarhendels moeten altijd schoon en vrij van stoffen ► Probeer tijdens het schoonmaken niet puntige voorwerpen door de openingen te voegen ► Sommige reinigings- en oplosmiddelen kunnen schade verrichten aan de kunststof onderdelen, onder deze zijn benzine, tetrachloorkoolstof, chloorhoudende schoonmaakmiddelen, ammoniak en huishoudelijke schoonmaakmiddelen die ammoniak bevatten ► Gebruik geen van deze om de hogedrukreiniger schoon te maken ► Mochten er overmatige vonken ontstaan, laat dan de Werku® officiële reparatiedienst een revisie maken en/of de koolborstels vervangen.

## **MILIEU BESCHERMING.**

► De materialen en componenten die zijn gebruikt om dit product te vervaardigen kunnen worden hergebruikt en gerecycleerd ► Werku® is gehecht aan een geïntegreerd managementsysteem dat verantwoordelijk is voor de correcte verwijdering van de residuen van dit product ► Gooi dit product niet weg met de gewone vuilnis ► Werku® biedt haar klanten een gratis collectiedienst voor deze resten op elke verkooppunt, op het verzamelpunt van het managementsysteem en op het schone inzamelpunt van uw woonplaats.

## **GARANTIE EN TECHNISCHE SERVICE.**

► Apart van de wettelijke garantie, biedt Werku® een extra commerciële garantie ► Deze commerciële garantie dekt de reparatie van alle geconstateerde gebreken die te wijten aan fouten in het materiaal of de fabricage ► Om deze dekking effectief te zijn is het noodzakelijk dat de gebreken verschijnen binnen de geldigheidsduur ► The consument heeft recht op gratis reparatie van alle defecten die Werku® erkent zoals opgenomen in de commerciële garantie (verzendskosten, arbeidskosten en materialen inbegrepen) en

gekozen door Werku<sup>®</sup>, hetzij via de reparatie of door vervanging (eventueel met een nieuwer model) ► Deze commerciële garantie heeft geen invloed op de rechten van de consument gevestigd door de wet overeenkomstige Richtlijn 1999/44 /CE ► Deze commerciële garantie is geldig gedurende 24 maanden ► Als dit product is bestemd voor professioneel of industrieel gebruik, is de geldigheidsduur 12 maanden ► The geldigheidsduur begint op de datum van aankoop van de eerste consument ► Deze datum wordt getoond op de factuur of aankoopbon ► Acties voor claims tegen deze commerciële garantie vervallen zes maanden na het einde van de geldigheidsperiode ► Alle claims die voortvloeien uit deze commerciële garantie moeten aan de distributeur of aan de Technische Dienst worden voorgelegd ► Hiervoor moet u deze garantie correct ingevuld en gestempeld by de distributeur presenteren, samen met de factuur of kassabon ► Voor welke informatie ook over deze commerciële garantie, kunt U contact opnemen met de Technische Dienst op het telefoonnummer +34 981 648 119, of per e-mail op [info@werku.com](mailto:info@werku.com) ► Deze commerciële garantie geldt niet voor defecten veroorzaakt door onderdelen die versleten zijn door gebruik en andere vormen van natuurlijke slijtage, defecten veroorzaakt door het niet opvolgen van de instructies voor het gebruik, bij toepassingen waarvoor dit product niet bestemd is, voor afwijkende omgevingsfactoren, overbelasting of onzorgvuldig onderhoud of reiniging, voor gebreken veroorzaakt door het gebruik van onderdelen, accessoires of vervangingen die niet origineel Werku<sup>®</sup> onderdelen zijn, indien dit product geheel of gedeeltelijk gedemonteerd, aangepast of gerepareerd is door iemand verschillend van de Technische Dienst, bij minimale en irrelevante onregelmatigheden die het normale gebruik niet beïnvloeden ► Reparaties en vervangingen verlengen of vernieuwen de geldigheidsduur van deze commerciële garantie niet ► De vervangen onderdelen worden eigendom van Werku<sup>®</sup> ► Indien de koper dit product naar de Technische Dienst stuurt en deze niet voldoet aan de voorwaarden van deze commerciële garantie, zijn alle onkosten en transport risico's voor de koper ► Deze commerciële garantie is alleen geldig op het grondgebied van de Europese Unie ► Het bedrijf dat verantwoordelijk is voor de naleving van deze Werku<sup>®</sup> commerciële garantie is Werku Tools SA.

## **TECHNISCH ADVIES.**

► De technische afdeling van Werku<sup>®</sup> staat tot uw beschikking om eventuele vragen op te lossen die u mocht hebben met betrekking tot zijn producten  
► Als u contact wilt opnemen met ons team, stuur dan een e-mail naar [info@werku.com](mailto:info@werku.com).

## DECLARAÇÃO CONFORMIDADE CE.

► Werku® declara que a lavadora alta pressão **WK400720** corresponde às Directivas e Normativas Europeias 2006/42/CE, EN60335-1:2012/A11, EN60335-2-79:2012 e EN62233:2008.

La Coruña, 01/07/2019  
R Yáñez  
Werku Tools SA

## CARACTERÍSTICAS TÉCNICAS.

► Voltagem-frequência 230V~50Hz ► Potência 3700W ► Classe I ► Índice protecção IPX5  
► Rotações 2900 min<sup>-1</sup> ► Pressão trabalho 180 bar ► Pressão máxima 200 bar ► Caudal trabalho 7 l/min<sup>-1</sup> ► Caudal máximo 9.5 l/min<sup>-1</sup> ► Temperatura máxima 50°C ► Peso líquido 55 kg ► Pressão acústica LpA ≤70 dB(A) ► Vibração Aw ≤2.5 m/s<sup>2</sup>.

## PICTOGRAMAS.



Atenção



Risco de choque eléctrico



Não conecte diretamente à rede de água



Risco de jato de alta pressão



Leia o manual de instruções



Use protecção para os olhos



Use protecção para as mãos



Use protecção corporal



Conformidade Europeia



Isolamento duplo



Resíduos de equipamentos eléctricos e eletrónicos

## INSTRUÇÕES DE SEGURANÇA.

► Leia todos os avisos de segurança e todas as instruções ► Não seguir todas as advertências e as instruções listadas abaixo pode resultar em choque eléctrico, incêndio e/ou ferimento grave ► Manter todos os avisos e as instruções para referência futura ► Os acidentes poderam evitar-se em muitos casos dando-se conta de uma situação perigosa antes de que se produza, e observando fielmente os procedimentos de segurança apropriados ► Não utilize nunca esta lavadora alta pressão para aplicações que não sejam as especificadas neste manual.

## COMPONENTES ELÉTRICOS.

► Perigo; perigo de um choque eléctrico ► Nunca tocar na ficha de rede e na tomada com as mãos molhadas ► Antes de qualquer utilização do aparelho, verificar se o cabo de ligação à rede e a ficha de rede não apresentam quaisquer danos ► O cabo de ligação à rede danificado tem que ser imediatamente substituído pelo serviço de assistência técnica ou por um técnico electricista autorizado ► Não colocar o aparelho em funcionamento se o cabo de ligação à rede estiver danificado ► Todas as peças condutoras de corrente na área de trabalho devem estar protegidas contra jactos de água ► Fichas de rede e acoplamentos de uma linha de extensão têm que ser estanques à água e não podem estar na água ► O acoplamento não pode estar pousado no chão ► Recomenda-se a utilização de tambores de cabos que assegurem que as tomadas se situem, pelo menos, 60 mm acima do chão ► Assegurar que os cabos de ligação à rede e de extensão não sejam danificados por trânsito, esmagamento, puxões ou problemas similares ► Proteger o cabo de rede contra calor, óleo e arestas afiadas ► Antes de efectuar trabalhos de conservação e de manutenção desligar o aparelho e retirar a ficha de rede ► Os trabalhos de reparação e trabalhos em componentes eléctricos só devem ser executados pelo Serviço de Assistência Técnica autorizado ► Atenção; o aparelho só deve ser ligado a uma ligação eléctrica executada por um técnico de instalação eléctrica, de acordo com IEC 60364 ► Ligar o aparelho só à corrente



alternada ► A tensão deve corresponder à placa de características do aparelho ► Os aparelhos da classe de protecção I ► Só podem ser conectados a fontes de energia correctamente ligadas à terra ► Por motivos de segurança recomendamos, regra geral, que o aparelho seja operado com um disjuntor para corrente de defeito (máx. 30 mA) ► Um cabo de extensão eléctrico inapropriado pode ser perigoso ► Utilizar ao ar livre apenas cabos de extensão eléctricos homologados e devidamente assinalados e com um corte seccional (diâmetro) adequado: 1 - 10 m: 1,5 mm<sup>2</sup> ; 10 - 30 m: 2,5 mm<sup>2</sup> ► Desenrolar a linha de extensão sempre completamente do tambor de cabo.

## MANUSEAMENTO SEGURO.

► Perigo; utilize o aparelho somente para os fins a que se destina ► Deve ter em consideração as condições locais e, ao utilizar o aparelho, ter em conta o comportamento de pessoas nas proximidades ► Controlar os componentes importantes como, por exemplo, mangueira de alta pressão, pistola pulverizadora manual e unidade de segurança relativamente a danos, antes de cada utilização ► Substituir imediatamente componentes danificados ► Não colocar o aparelho em funcionamento com componentes danificados ► Os jactos de alta pressão podem ser perigosos em caso de uso incorrecto ► O jacto não deve ser dirigido contra pessoas, animais, equipamento eléctrico activo ou contra o próprio aparelho ► Não dirigir o jacto de alta pressão contra terceiros ou contra si próprio para a limpeza de roupa ou sapatos ► O jacto de alta pressão pode danificar pneus e as válvulas dos mesmos ou provocar até o seu rebentamento ► O primeiro sinal de danos é a alteração da cor do pneu ► Os pneus / válvulas dos pneus danificados podem causar lesões mortais ► Guardar pelo menos uma distância do jacto de 30 cm durante a limpeza de superfícies! ► Atenção; não utilizar o aparelho se outras pessoas se situarem no alcance do mesmo, a não ser que estas utilizem vestuário de protecção ► Este aparelho não deve ser manobrado por crianças ou pessoas não instruídas ► Este aparelho não é adequado para a utilização por pessoas com capacidades físicas, sensoriais e psíquicas reduzidas e por pessoas com falta de experiência e/ ou conhecimentos, excepto se forem supervisionadas por uma pessoa responsável pela segurança ou receberam instruções sobre o manuseamento do aparelho

e que tenham percebido os perigos inerentes ► Crianças não podem brincar com o aparelho ► Supervisionar as crianças, de modo a assegurar que não brincam com o aparelho ► Cuidado; antes de iniciar quaisquer trabalhos com ou no aparelho, deve-se assegurar o posicionamento estável do aparelho, de modo a evitar acidentes ou danos causados pelo tombamento do aparelho ► Devido ao jato de água que sai do bico de alta pressão, uma força de recuo age sobre a pistola ► Garantir uma posição segura e segurar bem a pistola e a lança ► Nunca deixar o aparelho sem vigilância enquanto estiver a funcionar ► Advertência; no caso de longas interrupções de trabalho deve-se desligar o interruptor do aparelho ► Não operar o aparelho a temperaturas inferiores a 0°C.

## OUTROS PERIGOS.

► Perigo; é proibido pôr o aparelho em funcionamento em áreas com perigo de explosão ► Não projetar jatos de água contra objetos que contenham substâncias nocivas à saúde (p.ex. amianto) ► Nunca aspirar líquidos com teores de diluentes ou ácidos e dissolventes não diluídos! ► Trata-se de materiais como gasolina, diluente de tinta ou gasóleo de aquecimento ► A névoa de pulverização é altamente inflamável, explosiva e tóxica ► Não utilizar acetona, ácidos e diluentes não diluídos, dado que podem atacar os materiais utilizados no aparelho ► Manter as películas da embalagem fora do alcance das crianças! ► Perigo de sufocamento! ► Atenção; de acordo com as prescrições em vigor, o aparelho nunca pode ser ligado à rede de água potável sem separador de sistema ► Assegurar que a conexão da instalação de água doméstica seja operada na lavadora de alta pressão com um separador de sistema, segundo EN 12729, tipo BA ► A água que tenha entrado no separador de sistema, já não é considerada água potável ► As mangueiras de alta pressão, os comandos e os acoplamentos são importantes para a segurança do aparelho ► Utilizar unicamente mangueiras de alta pressão, comandos e acoplamentos recomendados pelo fabricante ► Durante a separação da mangueira de admissão ou da mangueira de alta pressão, pode verificar-se a saída de água quente pelas ligações após o funcionamento ► Cuidado; ter em consideração o peso do aparelho (ver dados técnicos), aquando da escolha do local de armazenamento e do transporte, de modo a evitar acidentes ou ferimentos ► Nos aparelhos

com um valor de vibração mão/braço > 2,5 m/s<sup>2</sup> (ver dados técnicos) ► Cuidado; a utilização ininterrupta durante longas horas pode causar, em situações raras, uma sensação de dormência das mãos ► Usar luvas ► Manter as mãos quentes ► Fazer intervalos periódicos.

## **TRABALHAR COM DETERGENTES.**

► Atenção; este aparelho foi desenvolvido para a utilização de detergentes, fornecidos ou recomendados pelo fabricante ► A utilização de outros detergentes ou agentes químicos pode afectar a segurança do aparelho ► A utilização de detergentes errados pode provocar ferimentos ou intoxicações graves ► Guardar os detergentes num local inacessível a crianças.

## **EQUIPAMENTO SEGURANÇA.**

► Cuidado; as unidades de segurança protegem o utilizador e não podem ser alteradas ou colocadas fora de serviço.

## **EQUIPAMENTO PROTECÇÃO PESSOAL.**

► Cuidado; utilizar roupa de protecção e óculos de protecção contra salpicos de água ou sujidades ► Durante a utilização de lavadoras de alta pressão podem ser produzidos aerossóis ► A inalação de aerossóis pode ter consequências graves para a saúde ► Consoante a aplicação podem ser utilizados bicos completamente blindados (p. ex. limpeza de superfícies) para os trabalhos de limpeza com a lavadora de alta pressão, os quais reduzem substancialmente a projecção de aerossóis aquosos ► A utilização deste tipo de blindagem não é possível em todas as aplicações ► Sempre que não for possível utilizar um bico completamente blindado, deve-se utilizar uma máscara respiratória da classe FFP2 ou similar, que se adapte às condições de limpeza.

## **SEGURANÇA DO ÁREA DE TRABALHO.**

► Manter a área de trabalho limpa e bem iluminada ► As áreas desorganizadas e escuras provocam acidentes ► Não opere ferramentas eléctricas em atmosferas explosivas, como na presença de líquidos, gases ou poeiras inflamáveis ► Manter longe do alcance das crianças e curiosos enquanto estiver operando uma ferramenta eléctrica ► As distrações podem fazer você perder o controle.

## **SEGURANÇA PESSOAL.**

► Esteja alerta, observe o que está fazendo e use o bom senso ao operar uma ferramenta eléctrica ► Não use a ferramenta quando estiver cansado ou sob a influência de drogas, álcool ou medicamentos

► Um momento de desatenção enquanto opera uma ferramenta pode causar ferimentos graves.

## **NÃO TRABALHE DE PUNTILHAS.**

► Mantenha seus pés no chão e equilíbrio em todos os momentos ► Isso permite melhor controle da ferramenta em situações inesperadas.

## **USAR ROUPA APROPRIADA.**

► Não use roupas folgadas ou jóias ► Manter o cabelo, roupas e luvas longe das peças móveis ► Roupas folgadas, jóias ou cabelos longos podem ser agarradas por partes ► Se houver dispositivos para conexão através de extracção e colecta de pó, verifique se eles estão conectados e usados correctamente ► O uso destes dispositivos podem reduzir os riscos relacionados à poeira.

## **NÃO FORCE O CABO ELÉCTRICO.**

► Nunca use o cabo de carregar, erguer ou retirar a ferramenta eléctrica ► Mantenha o cabo longe do calor, óleo, cantos afiados ou partes móveis ► Os cabos danificados ou emaranhados aumentam o risco de choque eléctrico ► Ao operar uma ferramenta eléctrica ao ar livre, use um cabo de extensão apropriado para uso externo ► O uso de um cabo de extensão apropriado para áreas exteriores reduz o risco de choque eléctrico ► Se a utilização de uma ferramenta eléctrica em um local húmido estiver disponível, usar um poder protegida por um dispositivo de corrente residual (RCD) ► O uso de um RCD reduz o risco de choque eléctrico.

## **USO E CUIDADOS COM FERRAMENTAS ELÉCTRICAS.**

► Não force a ferramenta eléctrica ► Use a ferramenta eléctrica correta para sua aplicação ► A ferramenta eléctrica correta fará o trabalho melhor e mais seguro se a taxa para o qual foi concebido ► Não use a ferramenta eléctrica se o interruptor não pode ser posicionada em posição “off” e “on” ► Qualquer ferramenta eléctrica que não pode ser controlada com o interruptor é perigosa e deve ser reparada ► Retire o plugue da alimentação e/ou da bateria antes de fazer quaisquer ajuste, troco de acessórios ou amacenação de ferramentas eléctricas ► Tais medidas preventivas reduzem o risco de accionamento acidental da ferramenta eléctrica.

## **GUARDE AS FERRAMENTAS ELÉCTRICAS.**

► Guarde as ferramentas fora do alcance das crianças e não permitir o manuseamento de ferramentas eléctricas para as pessoas não familiarizadas com as ferramentas ou com estas instruções ► As ferramentas eléctricas são perigosas nas mãos de utilizadores inexperientes.

## MANUTENÇÃO.

► Verifique as partes móveis de desalinhamento, não há peças quebradas ou outras condições que podem afectar o funcionamento das ferramentas eléctricas ► As ferramentas eléctricas são reparadas antes da utilização, quando estão danificadas ► Muitos acidentes são causados por ferramentas eléctricas sem manutenção ► Use ferramentas eléctricas, acessórios e pontas de ferramentas, etc de acordo com estas instruções e na forma prevista para o tipo particular da ferramenta, levando em conta as condições de trabalho e o trabalho a desenvolver ► O uso da ferramenta eléctrica para outras aplicações que não foram previstas, pode resultar em uma situação perigosa ► Verifique a sua ferramenta reparada por um serviço oficial de reparação Werku® usando peças de substituição idênticas ► Isso irá garantir a segurança da ferramenta seja mantida.

## ANTES DE COMEÇAR A TRABALHAR.

► Certifique-se que se encontra firmemente apoiado ► Certifique-se que não há ninguém debaixo da zona de influência da lavadora alta pressão quando levar a cabo trabalhos em zonas elevadas ► Afaste as mãos das partes em movimento da lavadora alta pressão.

## DURANTE O FUNCIONAMENTO.

► Não deixe a lavadora alta pressão a funcionar sem tela bem fixa ► Coloque-o em funcionamento quando tiver a certeza que está perfeitamente controlado ► Não aponte a lavadora alta pressão a ninguém durante o funcionamento ► A lavadora alta pressão produzirá vibrações durante o funcionamento ► Os parafusos podem afrouxar progressivamente podendo causar avarias ou acidentes ► Afaste as mãos das partes em movimento da lavadora alta pressão.

## AO TERMINAR DE TRABALHAR.

► Não toque nos acessórios instalados na lavadora alta pressão após a sua utilização ► Pode estar muito quente e provocar queimaduras ► Alguns materiais sobre os quais trabalhará podem conter químicos ou componentes que podem ser tóxicos ► Tenha cuidado para prevenir a inalação destas substâncias ou o contacto com a pele ► Utilize os EPIs desenhados para o prevenir e proteger destas incidências.

## DESCRIÇÃO DO PRODUTO.

► A lavadora alta pressão foi desenhada para realizar trabalhos de limpeza ► Observe este esquema para se familiarizar com a lavadora alta pressão antes de a utilizar.



1. Mangueira alta pressão.
2. Braçadeira cabo.
3. Indicação nível óleo.
4. Suporte injectores.
5. Linha adutora eléctrica.
6. Regulador pressão.
7. Mangueira fornecimento água.
8. Entrada água.
9. Entrada sabão.
10. Entrada óleo.
11. Interruptor.
12. Tampa.
13. Alça transporte.
14. Saída mangueira alta pressão.

15. Roda.
16. Suporte mangueira.
17. Mangueira aspiração detergente com filtro.
18. Suporte lança.
19. Lança.
20. Seguro gatilho.
21. Gatilho.
22. Pistola pulverizadora manual.
23. Parafuso drenagem óleo.

## INSTRUÇÕES DE USO.

► Antes de colocar a lavadora alta pressão em funcionamento, aconselhamos a ler completa e minuciosamente todas as instruções que se indicam  
► Ainda assim, deverá ter em conta as normas para a prevenção de acidentes, os regulamentos e as directivas, as leis e restrições vigentes para os centros de trabalho ► A lavadora alta pressão deve de ser utilizado unicamente por pessoas devidamente preparadas para a sua operação e exclusivamente de acordo com os fins previstos.

## FONTE DE ALIMENTAÇÃO.

► Certifique-se de que a fonte de alimentação se ajusta aos requisitos especificados na placa de dados da lavadora alta pressão (1) ► Pôr o motor a funcionar a baixa voltagem fará com que este opere lentamente ► Isto reduzirá o rendimento e pode causar o sobreaquecimento do motor.

## EXTENSÃO ELÉCTRICA.

► Quando a zona de trabalho estiver afastada da fonte de alimentação, utilize uma extensão eléctrica com diâmetro e qualidade suficientes.

## TAMPA ENTRADA AZEITE.

► Precaução; a tampa vermelha da bomba está especialmente desenhada para o transporte; antes de utilizar a hidrolavadora, substitua a tampa vermelha pela amarela ou o de latão no pacote de peças de reposto (2).

## REGULADOR PRESSÃO.

► O ajuste de pressão está predefinido de fábrica para conseguir um ótimo rendimento de pressão e limpeza ► Se precisa reduzir a pressão, pode utilizar os seguintes métodos: ► 1- Afastar da superfície a limpar ► Quanto mais longe encontrar-se o utente, menor será a pressão sobre a superfície a limpar ► Precaução; não tente aumentar a pressão da bomba, um ajuste de pressão mais alto que o de fábrica pode danar a bomba ► 2- Alterar para a boquilha branca de 40° ► Esta boquilha proporciona uma menor força na corrente de água e um padrão de aspersão mais amplo ► 3- Ajustar o regulador de pressão da bomba ► Gire o regulador de pressão em sentido contrário às agulhas do relógio para

baixar a pressão ► Uma vez que termine de usar a hidrolavadora, regresse o regulador de pressão à sua posição original girando no sentido das agulhas do relógio ► Precaução; não tente girar o regulador de pressão para além da linha de paragem assinalada, já que caso contrário danar-se-ia a bomba.

## TIPOS BOQUILHA.

► A hidrolavadora está equipada com quatro boquilhas de pulverização ► A cada boquilha tem uma cor e proporciona um padrão de aspersão específico para um propósito de limpeza designadamente (3) ► Precaução; o jato de alta pressão da hidrolavadora é capaz de causar danos a superfícies como madeira, vidro, pintura de automóveis, faixas e enquadras de automóveis e objetos delicados como flores e arbustos ► Antes da pulverização, comprove que a peça a limpar é o suficientemente resistente como para resistir os danos causados pela força da pulverização.

## MUDANÇA BOQUILHAS.

► Precaução; não tente mudar as boquilhas enquanto a hidrolavadora esteja a funcionar ► Apague o motor ou a pistola antes de mudar a boquilha ► Atire do fechamento rápido para atrás e insira a boquilha ► Solte o fechamento rápido e gire a boquilha para se assegurar de que está bem sujeita ao ligue rápido (4) ► Advertência; risco de lesões ► Assegure-se que a boquilha esteja completamente inserida no ligue de fixação rápida antes de acender o gatilho da pistola.

## LIMPEZA BOQUILHAS.

► Se a boquilha está obstruída com sujeira, pode produzir-se uma pressão excessiva ► Se a boquilha se obstrui ou restringe parcialmente, a bomba de pressão vibrará ► Limpe a boquilha imediatamente utilizando o kit de boquilhas fornecido e seguindo as seguintes instruções ► 1- Apague a unidade e corte o fornecimento de água ► 2- Acione o gatilho da pistola para aliviar a pressão da água ► 3- Desligue lança-a da pistola ► 4- Retire a boquilha de lança-a ► Elimine qualquer obstrução com a ferramenta de limpeza da boquilha fornecida e enxagúe-a com água limpa (5) ► 5- Dirija o fornecimento de água ao extremo da vareta de pulverização para a lavagem de partículas durante 30 segundos (6) ► 6- Volte a montar a boquilha em lança-a, assegurando-se de que a fixação é segura ► 7- Volte a ligar a lança à pistola e abra o fornecimento de água ► 8- Comece a hidrolavadora e coloque a lança no ajuste de alta pressão para realizar a prova.

## QUÍMICOS E DETERGENTES.

► Advertência; aplicar produtos químicos ou detergentes na posição de pressão mais baixa ► Utilize unicamente produtos químicos ou

detergentes desenhados para hidrolavadoras, ou sabões suaves ► A hidrolavadora pode aspirar detergentes e outros produtos químicos de um tanque independente ► Verta o produto químico ou detergente no tanque separado ► Precaução; acrescente água aos produtos químicos ou detergentes demasiado viscosos para ser aspirados ► Coloque a mangueira no tanque independente (7) ► Selecione a boquilha negra para produtos químicos ► Comece a pulverizar ► Após usar produtos químicos ponha água limpa no tanque independente e saque-a através do sistema de injeção de produtos químicos para enxaguar bem o sistema ► Se permanecem produtos químicos na bomba, esta poderia resultar danada ► Advertência; os produtos químicos ou detergentes não expulsar-se-ão se a lança está no ajuste de alta pressão.

## **INSTRUÇÕES USO.**

► Importante; antes de operar comprove que todas as porcas e pernos estejam suficientemente apertados e comprove se o fornecimento de água e eletricidade podem satisfazer corretamente a demanda da hidrolavadora ► Também é importante comprovar o filtro de água antes de utilizar a hidrolavadora ► Importante; um filtro bem limpo significa um bom rendimento e uma longa vida útil da hidrolavadora ► Ligue o fornecimento de água ao porto primeiramente mediante uma mangueira reforçada ► Precaução; a hidrolavadora não tem interruptor de fluxo, a fonte de água deve proporcionar 15 litros por minuto ► Precaução; a temperatura da água primeiramente não deve ser superior a 50°C ► Ligue a lança com a pistola e aperte firmemente (8) ► Introduza o ligue de conexão rápida da mangueira de alta pressão na saída de água e o outro extremo na base da pistola (9).

## **FORNECIMENTO ELÉTRICO.**

► Assegure-se de que a tensão de rede seja a mesma que a indicada na etiqueta de identificação da hidrolavadora ► Advertência; assegure-se de que a cavilha cumpre com os regulamentos locais e está provida de conexão a terra ► Advertência; a tomada de corrente deve estar protegida por um disjuntor residual com uma sensibilidade inferior a 30 mA ► Não ligue outros aparelhos à mesma tomada de corrente ► Advertência; insira o ligue após comprovar que o interruptor da hidrolavadora esteja na posição de apagado.

## **COMEÇAR.**

► Ligue o fornecimento de água e depois abra o gatilho da pistola ► Acenda a hidrolavadora ► Advertência; em caso de falha de alimentação durante o funcionamento, apague a hidrolavadora por razões de segurança ► Mantenha a pistola

em posição aberta durante uns segundos para drenar o ar da mangueira ► Neste ponto, ajuste a hidrolavadora de acordo ao seu requisito de pressão ► Lembre que é melhor não superar a pressão de trabalho normal, portanto, use a pressão máxima o menos possível ► Durante o seu uso, a cabeça pulverizador não deve de estar longe da superfície ► Advertência; não utilize a hidrolavadora quando tenha pessoas que estejam ao alcance do jato ► Pare a pistola após terminar a lavagem e depois apague o motor (em não mais de 2 minutos), porque a válvula de download segue se movendo após apagar a pistola, a água fluirá em círculo na bomba, o que aquecerá a água e danará o anel de selado ou outros acessórios se passa muito tempo ► Durante a operação, é normal se há uma pequena fuga de água da bomba, o que não afetará o uso da hidrolavadora.

## **VÁLVULA SEGURANÇA.**

► A válvula de segurança também funciona como válvula limitadora de pressão ► Quando se solta o gatilho da pistola, a válvula de segurança se abre e a água recircula através da entrada da bomba.

## **PARAGEM.**

► Quando termine de lavar, apague a hidrolavadora e mantenha a pistola em posição aberta durante uns segundos para drenar a água da mangueira.

## **MUDO AZEITE DE BOMBA.**

► O nível de azeite deve controlar-se periodicamente ► Muito importante; o azeite deve de mudar-se após as primeiras 50 horas de trabalho e sucessivamente após a cada 100 horas ► Em qualquer caso, há que mudar o azeite ao menos uma vez ao ano ► Use azeite de motor SAE 15 W-40 ou equivalente ► Liberte o azeite velho da bomba completamente através da tampa de saída de azeite (10) ► Instale a tampa de saída de azeite de novo e introduza querosene limpo no cárter (11) ► O nível de querosene deve estar ligeiramente acima da linha central do espelho de azeite (12) ► Depois faça funcionar a hidrolavadora sem carga durante uns 10-15 segundos, pare e solte todo o querosene ► A seguir, se insira o azeite novo ► O nível de azeite deve estar ligeiramente acima da marca vermelha do espelho de azeite.

## **ARMAZENAMENTO E/OU CONGELAÇÃO.**

► Se a hidrolavadora vai armazenar-se em um local onde tenha risco de congelação, ou se não se vai utilizar durante mais de três meses, se recomenda colocar um pouco de anticongelante na bomba ► Importante; longos períodos de inatividade podem provocar a formação de depósitos calcários, que devem de ser limpados.

## MANUTENÇÃO.

► Se a hidrolavadora não vai funcionar durante muito tempo, deve de drenar a água da completamente  
► Desligue a mangueira de fornecimento de água e faça funcionar a hidrolavadora durante médio minuto, e comece a pistola para drenar a água adicional ► A lavadora alta pressão foi desenhada para funcionar durante muito tempo com o mínimo de manutenção  
► O funcionamento óptimo depende do bom cuidado da lavadora alta pressão e de uma limpeza frequente ► Para evitar acidentes, retire sempre a lavadora alta pressão da fonte de alimentação antes de dar início á limpeza ou a qualquer tipo de manutenção da mesma ► A lavadora alta pressão deverá ser limpa de maneira eficaz mediante o uso de ar comprimido ► Utilize sempre óculos protetores quando trabalhar com ar comprimido ► Se não poder utilizar ar comprimido, retire as poeiras da lavadora alta pressão com uma escova ► As fendas de ventilação do motor e os interruptores devem estar sempre limpos e sem qualquer tipo de resíduos ► Não tente limpá-los introduzindo objectos pontiagudos através das aberturas ► Alguns produtos de limpeza e dissolventes danificam os componentes de plástico, entre os quais se destaca a gasolina, o tetraclorometano, os dissolventes de limpeza clorados, o amoníaco, os produtos de limpeza clorados, e os produtos de limpeza domésticos que contêm amoníaco ► Não utilize nenhum dos produtos anteriormente mencionados para limpar a lavadora alta pressão ► Caso detecte a formação de faíscas de modo excessivo, faça com que o Serviço oficial de reparação Werku® reveja a lavadora alta pressão e/ou substitua as escovas.

## PROTECÇÃO DO MEIO AMBIENTE.

► Os materiais e os componentes que foram usados para fazer este produto podem ser reutilizados e reciclados ► Werku® está aderido a um Sistema Integrado de Gestão que está encarregado da correta eliminação dos resíduos deste produto ► Não elimine este produto com os resíduos domésticos ► Werku® oferece aos seus clientes um serviço livre de colecção destes resíduos nos seus pontos de venda, nos pontos da colecção estabelecidos pelo Sistema Integrado de Gestão ou no ponto de reciclagem da sua cidade.

## GARANTIA E SERVIZO TÉCNICO.

► Para além da garantia legal, a Werku® oferece uma garantia comercial adicional ► Esta garantia comercial cobre a reparação dos defeitos resultantes de erros nos materiais ou na fabricação ► Para isso é imprescindível que os defeitos ocorram dentro do período de validade ► O consumidor tem direito á reparação gratuita dos defeitos que a Werku® reconheça como incluídos na

garantia comercial (custos de envio, mão de obra e materiais incluídos), cabendo á Werku®, optar pela reparação da escada defeituoso ou pela substituição (substituindo, se for necessário, por um modelo posterior) ► Esta garantia comercial não afecta os direitos do consumidor estabelecidos pela lei de acordo com a Directiva 1999/44/CE ► O período de validade desta garantia comercial é de 24 meses ► Caso o producto se destine a um uso profissional ou industrial, o período de validade é de 12 meses ► O período de validade começa na data de aquisição pelo primeiro consumidor ► Esta data está reflectida na factura ou ticket de compra ► A acção para reclamar o cumprimento desta garantia comercial prescreve seis meses a contar do fim do período de validade ► A reclamação em virtude desta garantia comercial deve apresentar-se ao distribuidor ou ao Serviço de Assistência Técnica ► Para isso é imprescindível apresentar esta garantia devidamente preenchida e selada pelo distribuidor, juntamente com a factura ou o ticket de compra ► Para qualquer informação referente a esta garantia comercial o comprador e/ou o distribuidor pode pôr-se em contacto com o Serviço de Assistência Técnica, através do telefone +34 981 648 119, ou por correio electrónico info@werku.com ► Ficam excluída desta garantia comercial os defeitos que tenham sido causados por peças desgastadas pelo uso ou outro tipo de desgaste natural, os defeitos causados pela inobservância ou incumprimento das instruções de uso e funcionamento, ou de aplicações não conformes com o uso a que se destina este producto, ou de factores ambientais anormais, ou de sobrecarga, ou de manutenção ou limpeza inadequadas, defeitos causados pelo uso de acessórios, complementos ou peças de substituição que não sejam peças originais da Werku®, o producto total ou parcialmente desmontado, modificado ou reparado por pessoal alheio ao Serviço de Assistência Técnica o as irregularidades mínimas e irrelevantes para o uso e funcionamento adequado ► As reparações e substituições não prolongam nem renovam o prazo de validade desta garantia comercial ► As peças substituídas passam a ser propriedade da Werku® ► Se o comprador enviar o producto para o Serviço de Assistência Técnica, não cumprindo as condições desta garantia comercial, as despesas e riscos de transporte correm a cargo do comprador ► Esta garantia comercial é válida dentro do território da União Europeia ► A empresa responsável pelo cumprimento desta garantia comercial da Werku® é Werku Tools SA.

## ASSESSORAMENTO TÉCNICO.

► A Werku® põe a sua disposição seu departamento técnico para resolver qualquer dúvida que possa surgir sobre seus produtos ► Em caso que deseje estabelecer contato com nossa equipe, remeta um correio eletrônico à direção info@werku.com.

WK400710  
 230 V ~ 50 HZ  
 2900 MIN<sup>-1</sup> - IPX5  
 10.5L/MIN (MAX12L/MIN)  
 80BAR (MAX120BAR)  
 MAX TEMP 50° C  
 32 KG - SERIE 0719  
 MADE IN PRC 07/2019  
 WERKU TOOLS SA  
 LA CORUÑA - SPAIN

fig.1

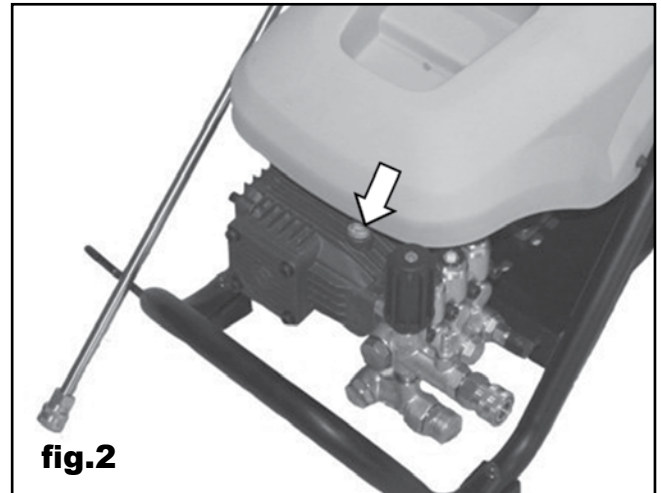


fig.2

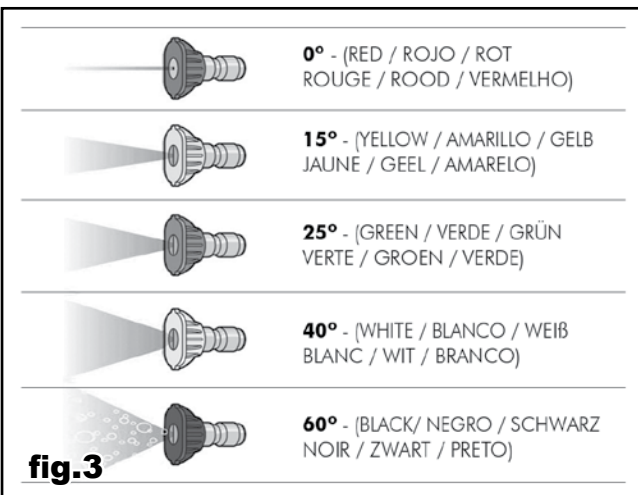


fig.3



fig.4

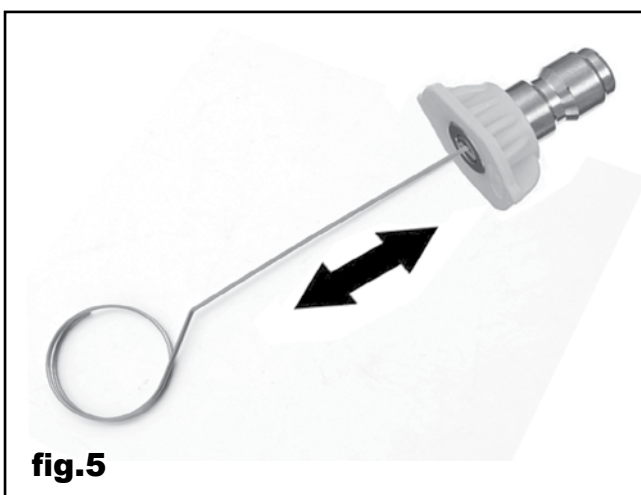


fig.5

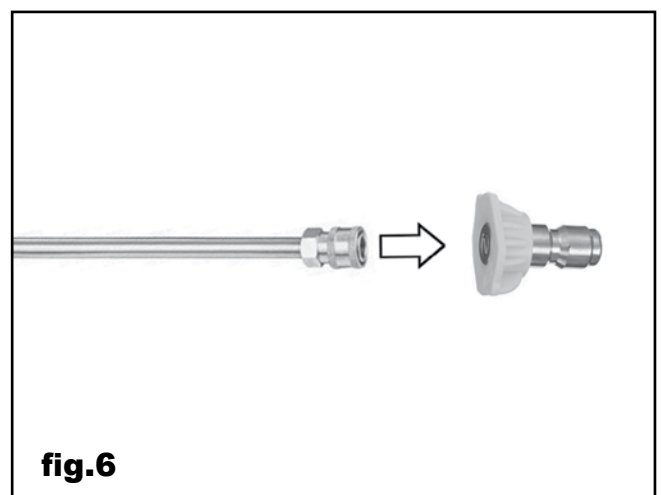
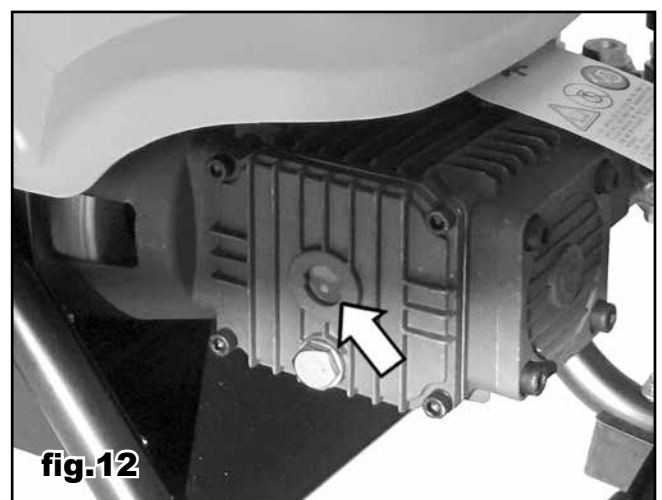
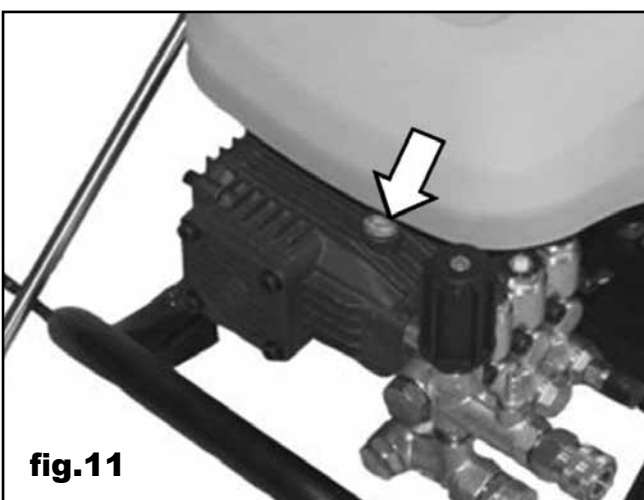
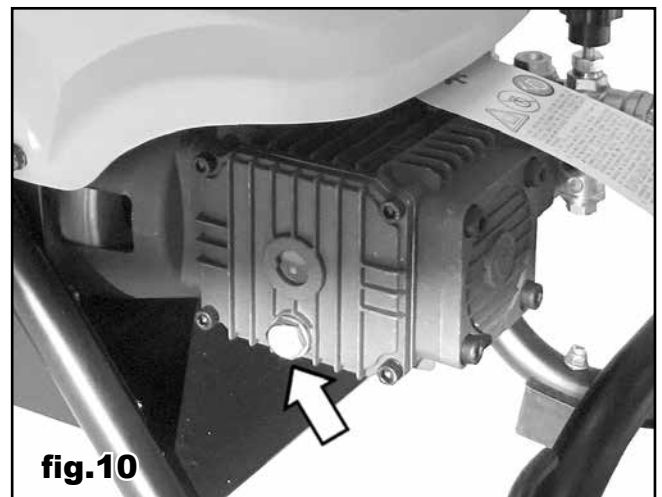
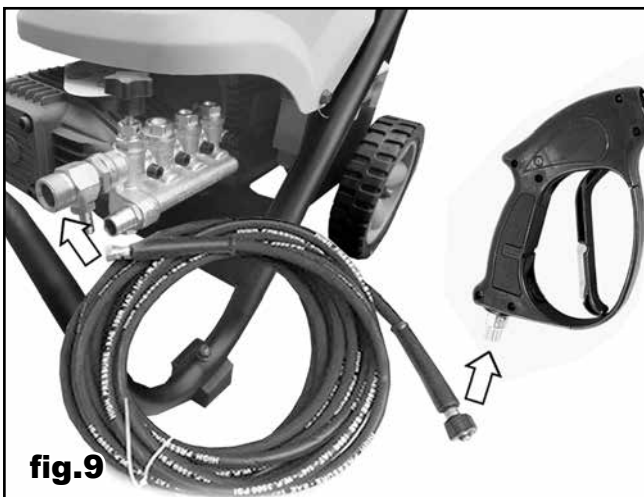
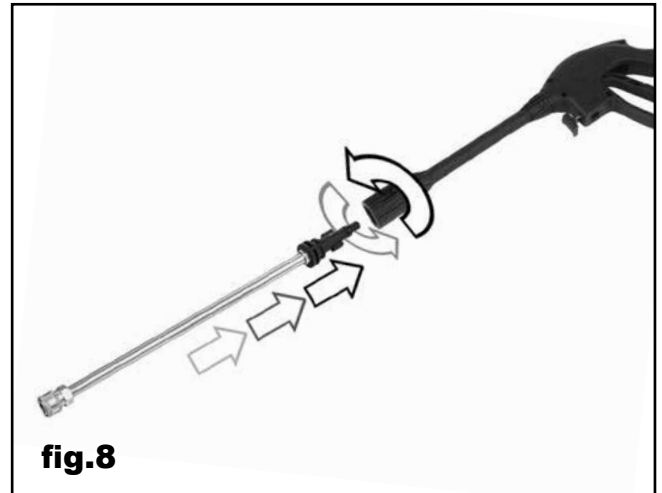
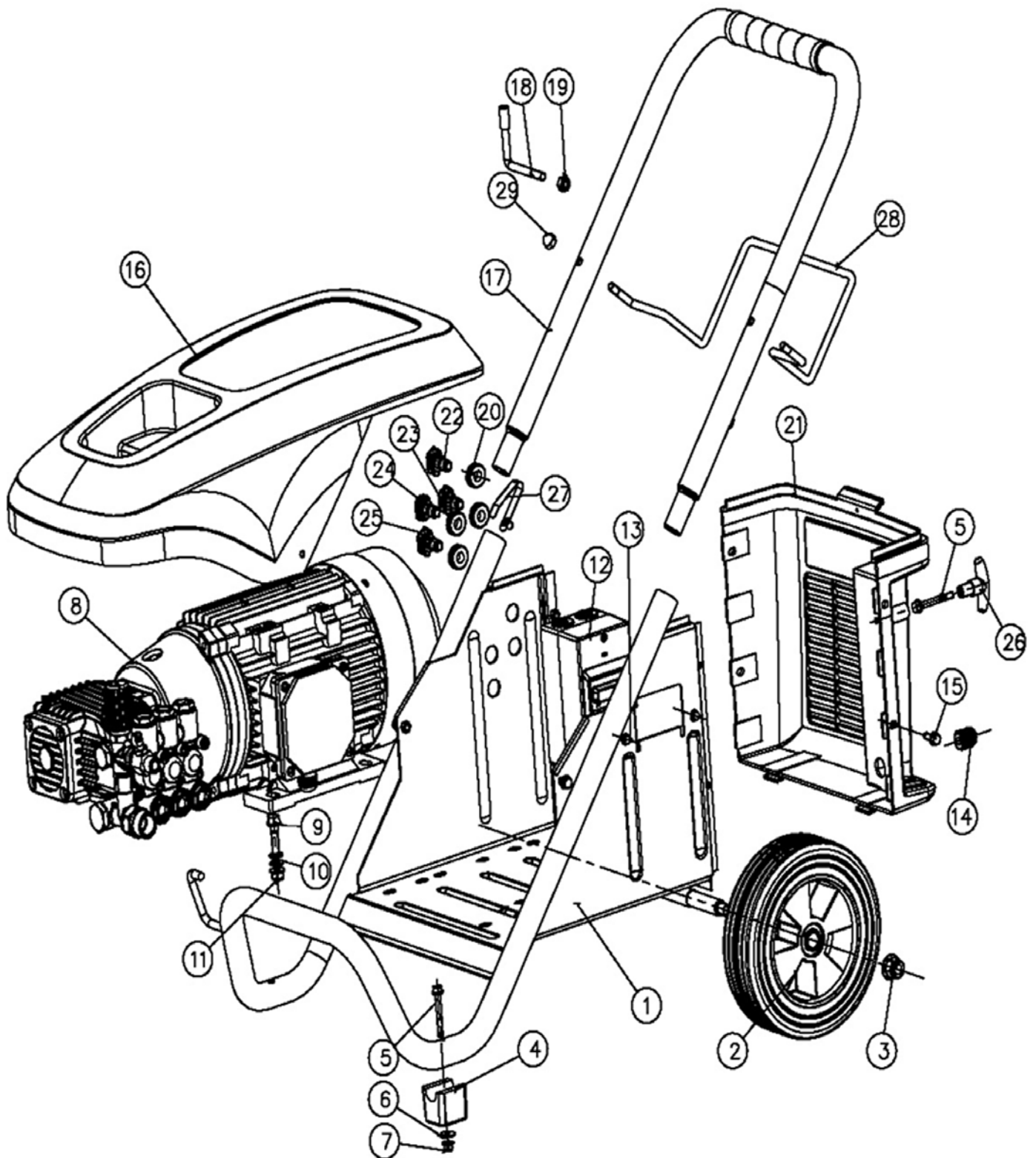
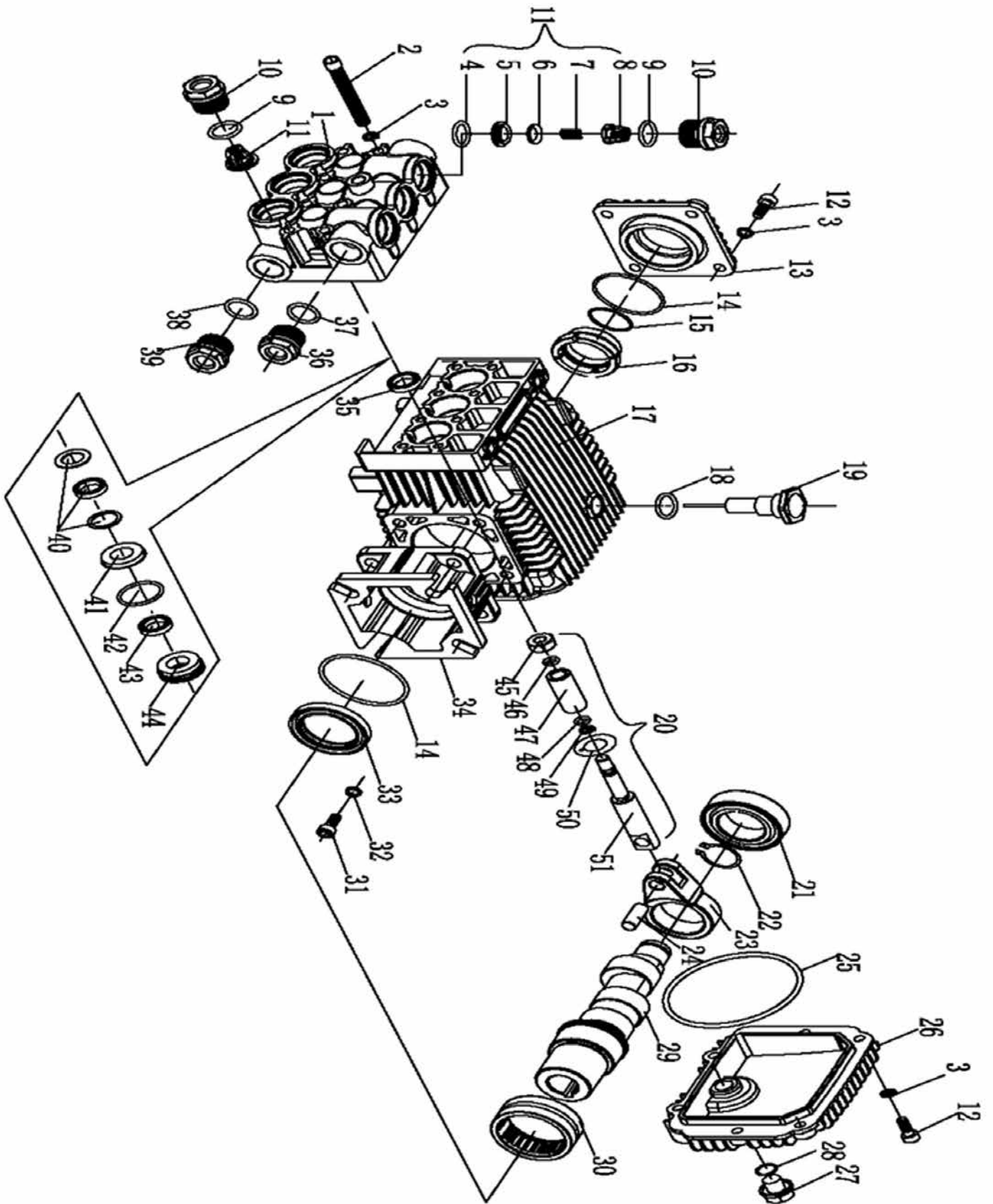


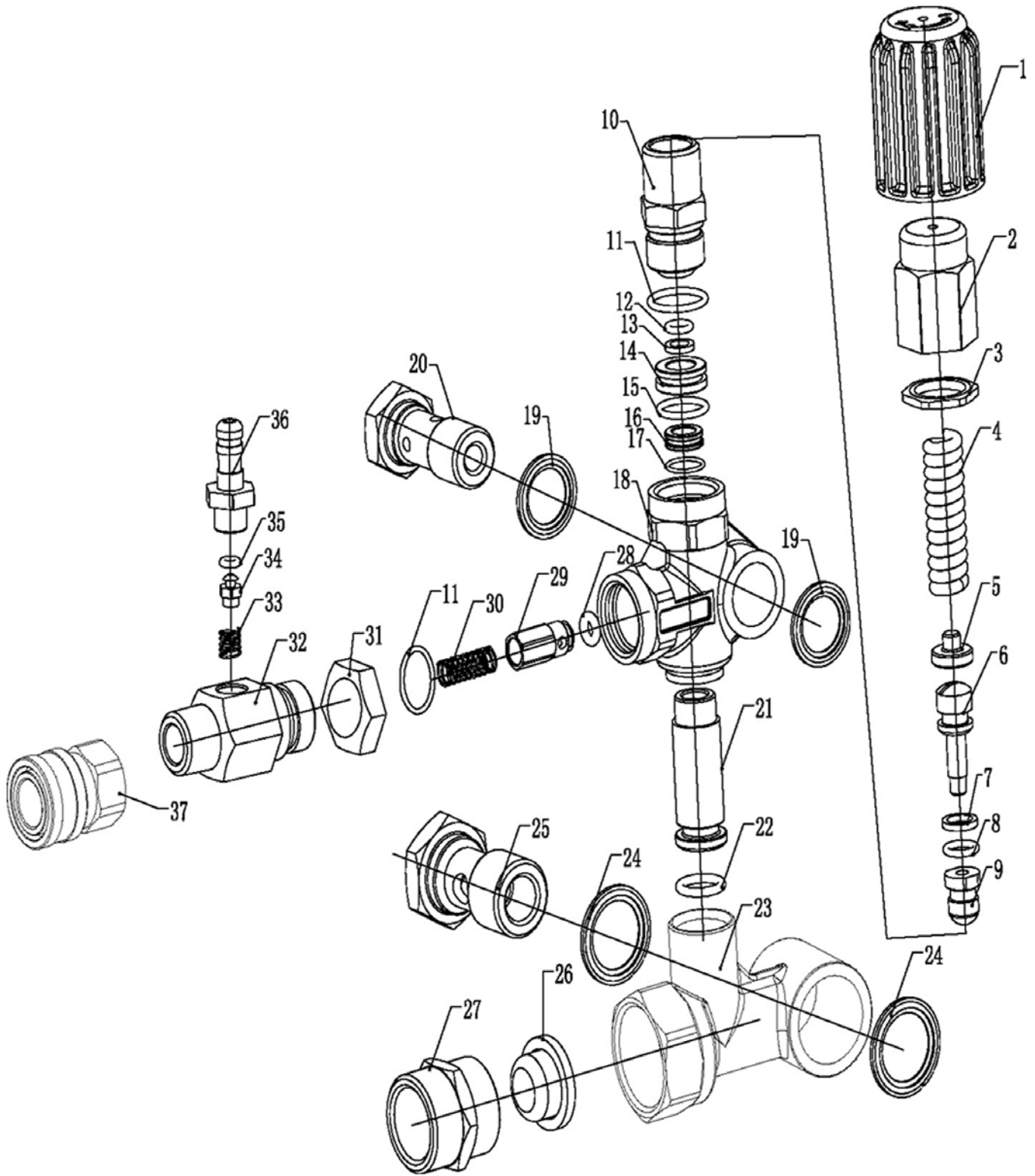
fig.6











## GUARANTEE

►Service under guarantee is only provided upon presentation of this signed and stamped guarantee, together with the invoice or receipt.

## GARANTÍA

►Para hacer uso del servicio de garantía es imprescindible la presentación de esta garantía debidamente cumplimentada y sellada, junto con la factura o ticket de compra.

## GARANTIE

►Service unter Garantie ist nur versehen bei Vorlage dieses unterzeichneten und abgestempelten Garantie, zusammen mit der Rechnung oder Quittung.

## GARANTIE

►Service sous garantie est fournie uniquement sur présentation de la garantie signée et cachetée, avec la facture ou le reçu.

## GARANTIE

►Service onder garantie wordt alleen verstrekt op vertoon van deze getekende en gestempelde garantie, samen met de factuur of kassabon.

## GARANTIA

►A assistência técnica em garantia so e prestada mediante a prestação desta garantia devidamente cumprimentada e selada, junto com a fatura ou ticket de compra.

ITEM NUMBER  
NÚMERO ARTÍCULO  
ARTIKELNUMMER  
NUMÉRO D'ARTICLE  
ARTIKELNUMMER  
NÚMERO ARTIGO

# WK400720

DATE OF PURCHASE  
FECHA DE COMPRA  
KAUFDATUM  
DATE D'ACHAT  
DATUM VAN AANKOOP  
DATA DE COMPRA

\_\_\_\_\_ / \_\_\_\_\_ / \_\_\_\_\_

DISTRIBUTOR STAMP  
SELLO DISTRIBUIDOR  
VERTRIEBER STEMPEL  
DISTRIBUTEUR CACHET  
DEALER STEMPEL  
CARIMBO DISTRIBUIDOR

